



IP66L2.5-1000-EXT-AL & IP66L2.5-1000-EXT-AL

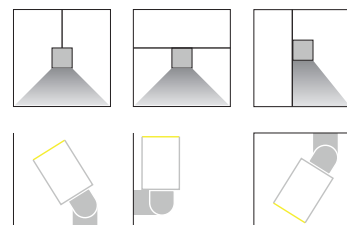
CE IK08 RoHS

### Features

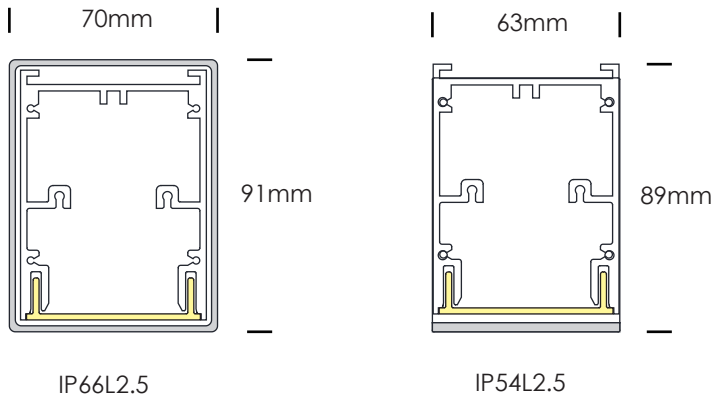
- IP66 / IP54 water proof design
- High efficacy up to 120lm/w
- Built-in driver, dim or non-dim available
- Wide range of finishes
- 100% recyclable, extruded architectural grade T6063 aluminum

### Mounting

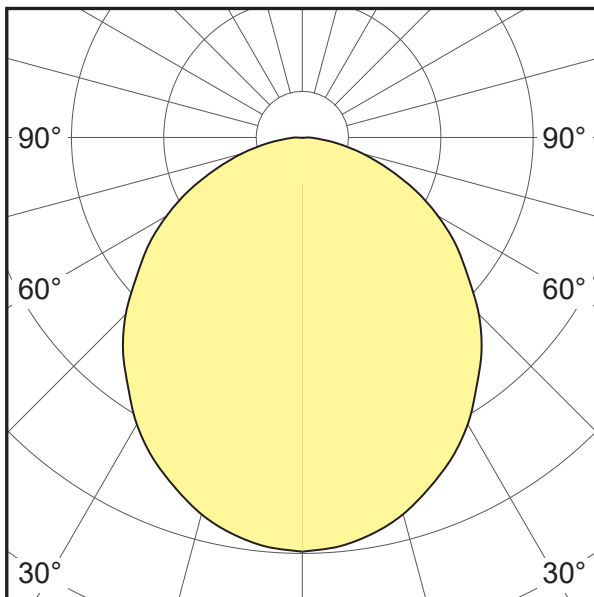
- Suspended, surface, wall



## Dimensions



## Distributions



## Ordering Info

### 1. BASIC MODEL

IP66L2.5-S	IP66, Suspended
IP66L2.5-SM	IP66, Surface mount
IP66L2.5-WM	IP66, Wall mount
IP54L2.5-S	IP54, Suspended
IP54L2.5-SM	IP54, Surface mount
IP54L2.5-WM	IP54, Wall mount

### 2. RUN LENGTH

xxxxmm - STR	Straight - specify individual or continuous run length in mm
--------------	--

*Note: Standard 1.5M maximum. Seperate fixtures can be joined end to end.*

### 3. LED LAMPING - DIRECT LIGHT

LOW - xxxxK	Linear LED strip, low output, LED 10W/M
MED - xxxxK	Linear LED strip, medium output, LED 20W/M
STD - xxxxK	Linear LED strip, standard output, LED 30W/M

*Note: Standard CCT: 3000K, 3500K, 4000K; CRI80 and CRI90 are available.*

*Other option: 2700K, 5000K, 5700K, 6500K, red, green, blue, TUNE(2700K-6500K). Contact factory for details.*

*See page6 for information of LED lamping output.*

### 4. LENS - DIRECT LIGHT

EXT	Opal lens
WD	Frosted lens

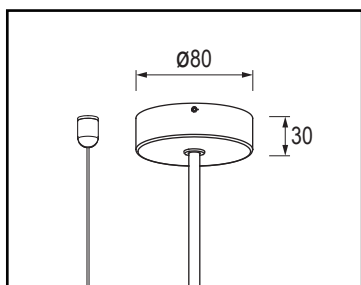
*Note: LEDs may be visible with frosted lens.*

## 5. DRIVER

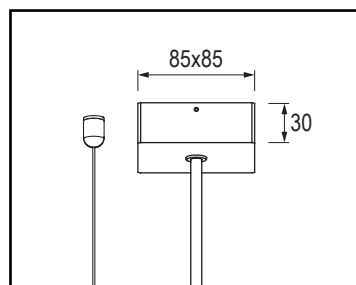
<b>STD</b>	Non-dimmable
<b>0/1-10V</b>	1-10V / 0-10V dimming
<b>DALI</b>	DALI dimming
<b>DMX</b>	DMX dimming
<b>OTHER</b>	Consult factory for options

## 6. SUSPENSION MOUNT CANOPY

<b>RC</b>	Canopy in round shape - suspended only
<b>SC</b>	Canopy in square shape - suspended only



Round canopy



Square canopy

## 7. FINISH

<b>BK</b>	Matt black powercoat
<b>WH</b>	Matt white powercoat
<b>SG</b>	Silver grey powercoat
<b>CF</b>	Custom finish - RAL or Pantone or other finish options



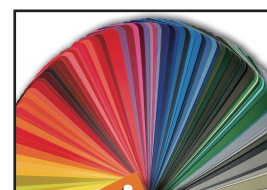
Matt black



Matt white



Silver grey



Custom

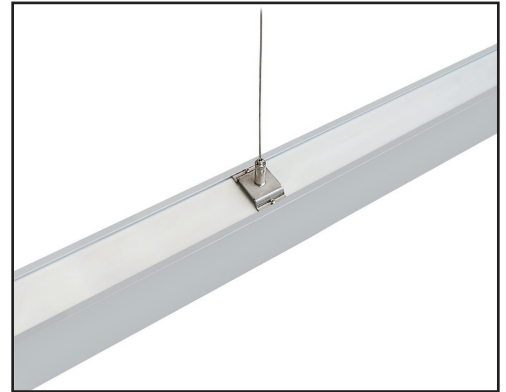
## 8. OPTIONAL ADD-ONS

<b>EM</b>	1.5 hour emergency kit (remote only)
<b>SS</b>	PIR sensor
<b>OTHERS</b>	Consult factory for options

## Specification Details

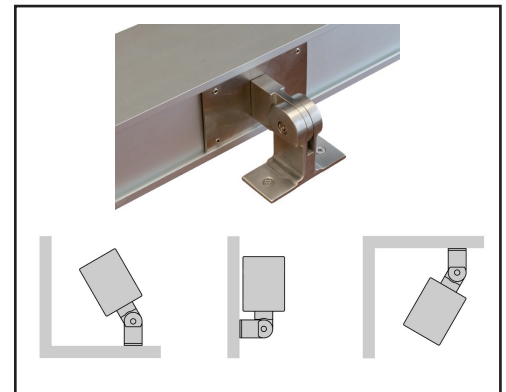
### SLIDED SUSPENSION KIT

The fixture is designed with slided suspension kit for suspended mounting. The slided suspension kit provides flexible and convenient installation in field. It's available to change the position and quantity of suspension kits when the ceiling layout is changed during installation.

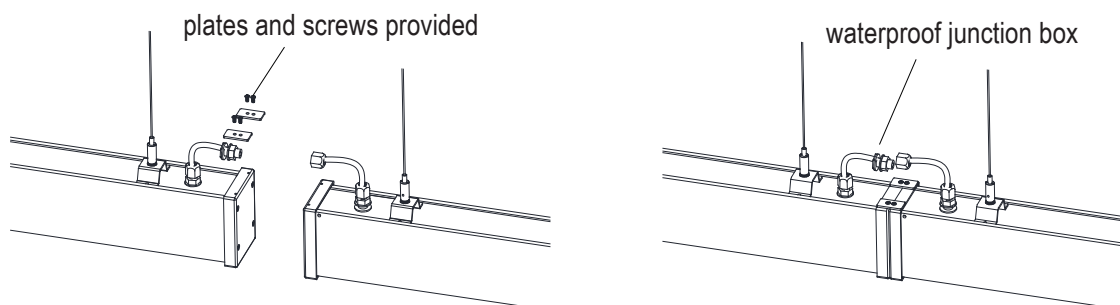


### WALL WASHER BRACKET

An adjustable bracket is designed for the wall mounted option. The adjustable angle design for wall washer brackets allows for precise control. There're 11 different wall wash angles available to customization of lighting for achieving desired aesthetics and functionality.



### SECTION CONNECTION



All individual sections are joined together onsite using the plates and screws provided. The electrical connection between sections is made by the pre-assembled waterproof junction box on the end of the section.

**PERFORMANCE DATA - LED LAMPING**

OUTPUT OPTIONS	DELIVERED LUMENS	WATTS	CRI OPTIONS	CCT OPTIONS	LED LAMPING
LOW-4000K	921	10.5	80 90	2700K 3000K 3500K 4000K 5000K 6500K	Opal lens
STD-4000K	1777	21.5			Opal lens
HI-4000K	2496	33.5			Opal lens
LOW-4000K	1278	10.5			Frosted lens
STD-4000K	2555	21.5			Frosted lens
HI-4000K	3853	33.5			Frosted lens

*Note: Performance data is based on a connected-load photometric test of 1 meter fixture output with different output with 90 CRI at 4000K using a non-dimmable driver. Data values for all other outputs are extrapolations.*



*More information and data,  
please visit:  
[www.zalite.cn](http://www.zalite.cn)*

V1.0\_2025-07