
ARCD

Suspended

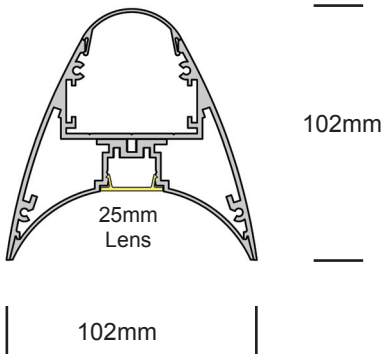


ARCD

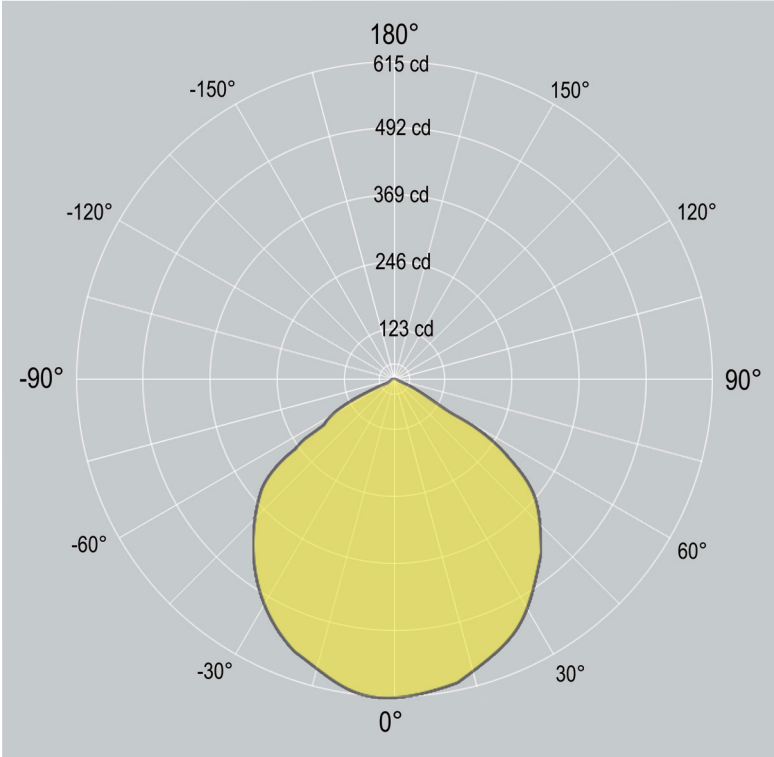
Suspended

ZALITE

Dimensions



Distribution



ARCD

Suspended

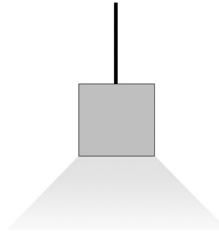
ZALITE

1. Base Model

ARCD

Suspended

ARCD
Suspended Direct



2. Run Length

Enter total linear length, (example: 6M)

3. Lamping

STD - **xxxxK** (example: STD-4000K)

Standard Output, LED 20 W/M, 1500 delivered lm/M, , 62 lm/W @ 4000K

HI - **xxxxK** (example: HI-4000K)

High Output, LED 30 W/M, 2100 delivered lm/M, 59 lm/W @ 4000K

CCT: 3000K 3500K 4000K Option: 2700K 5000K 5700K 6500K

CV - **xxxxK**

Additional LED Options

Constant Voltage (for custom lengths) - 12Vdc/24Vdc

Contact factory for detail

TW

Tunable White (2700K - 6500K)

Contact factory for detail

RGBW - **xxxxK**

Standard Output - RGB+WHITE - 12Vdc/24Vdc

Contact factory for detail

4. Driver

0/1-10V

0/1-10V dimming

DALI

DALI dimming

DMX

DMX dimming

NONDIM

Non-dimmable

5. Finish

AL

Standard, natural aluminum

BK

Black powdercoat

WH

White powdercoat

CUSTOM

Specify Custom Color

6. Additional options

EM

1.5 hour Emergency Kit

MS

Motion sensor

OTHER

Contact Factory

ARCD

Suspended

ZALITE

Housing

100% recyclable, extruded architectural grade T6063 aluminum

Emergency

Luminaires can be wired for emergency circuit and/or emergency battery backup.
Consult factory for options.

Finish

Standard finish is "Ultimate" aluminum - a smooth, clean and durable finish achieved from a deep-etch and two step clear anodizing process.
White, Black, Custom powdercoat options also available.



Suspension & Power



WH - WHITE



AL - ALUMINUM



BK - BLACK



Custom / ____

Default canopy finish
is to match fitting color,
unless otherwise
specified



ISO 9001:2015