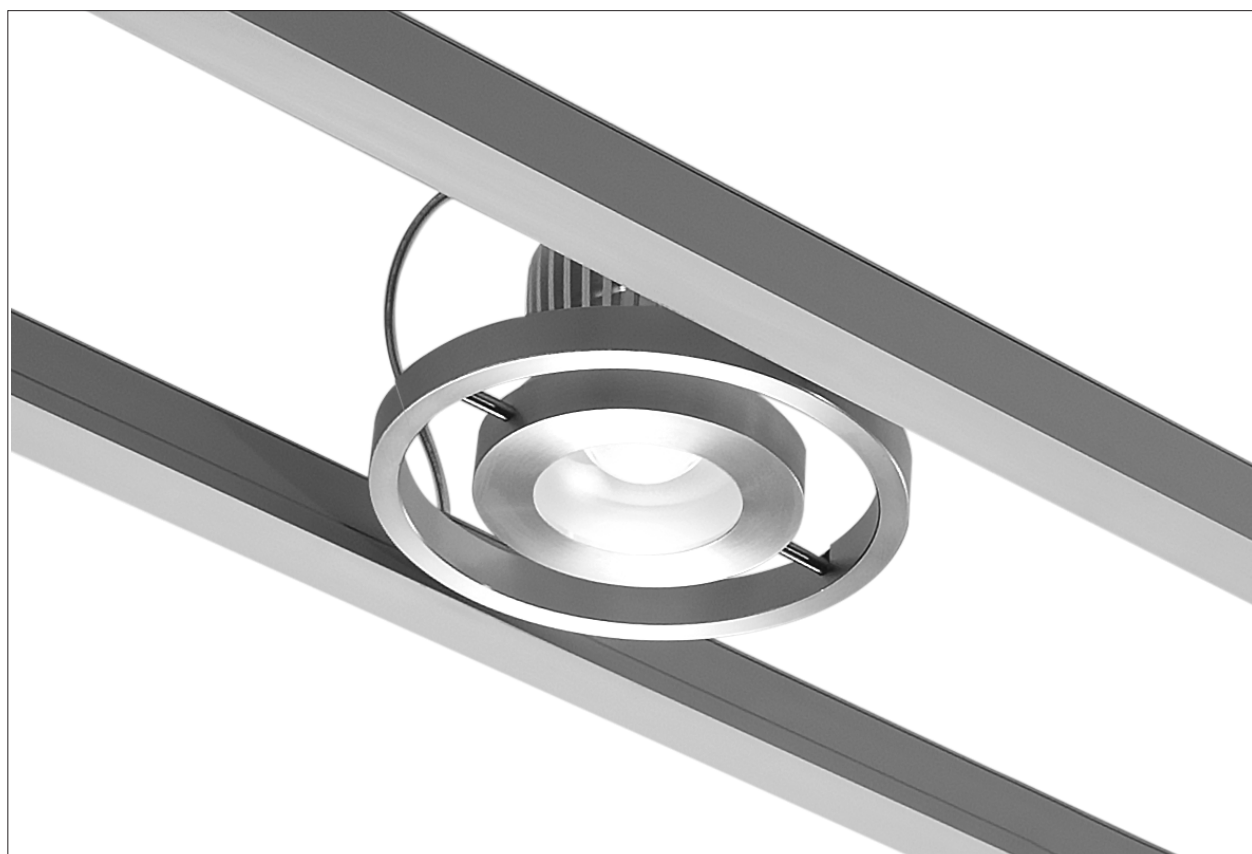


# LIGHTPLANE 9 – LP9

TWIN CHANNEL SPOTS

Suspended  
Wall



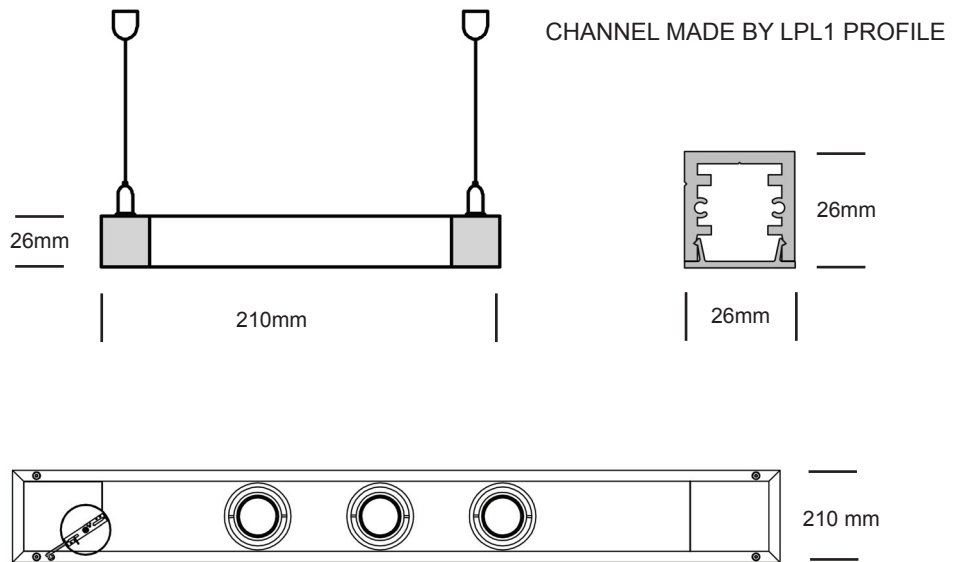
# LIGHTPLANE 9 — LP9

Suspended, Wall Sconce

# ZALITE

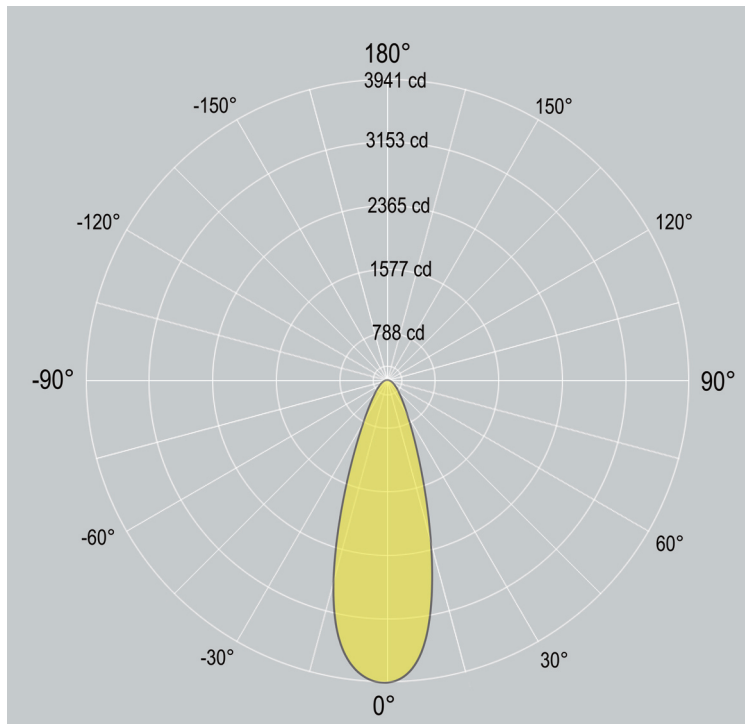
## Dimensions

---



## Distribution

---



# LIGHTPLANE 9 — LP9

Suspended, Wall Sconce

# ZALITE

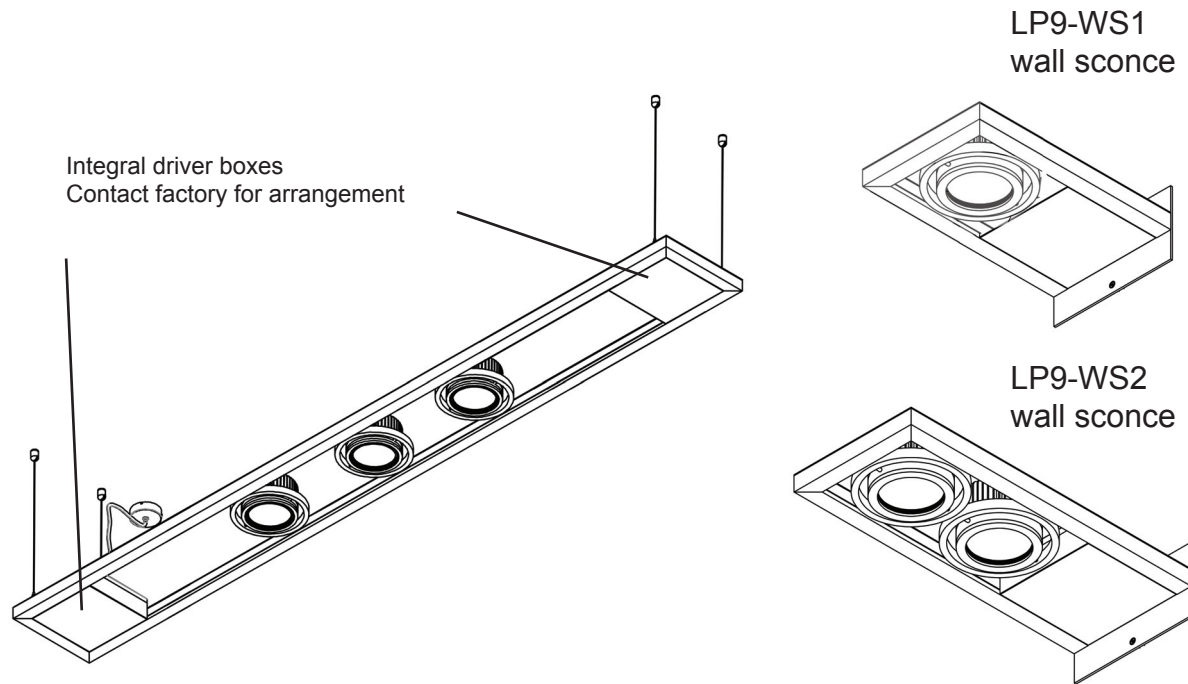
## 1. MODEL

LP9-S

Suspended

LP9-WS1 or LP9-WS2

Single Head Wall Sconce or Double head Wall Sconce



# LIGHTPLANE 9 — LP9

Suspended, Wall Sconce



## 2. RUN LENGTH

XXXX mm

## 3. QUANTITY of SPOTS

XXX SPOTS

## 4. LED SPECIFICATION

D50/60 - 7W - 25°  
D50/60 - 7W - 40°

D50/80 - 13W - 25°  
D50/80 - 13W - 40°

D85/60 - 13W - 25°  
D85/60 - 13W - 40°  
D85/60 - 13W - 60°

D85/60 - 19W - 25°  
D85/60 - 19W - 40°  
D85/60 - 19W - 60°

D110/40 - 18W - 15°  
D110/40 - 18W - 24°  
D110/40 - 18W - 38°  
D110/40 - 18W - 48°

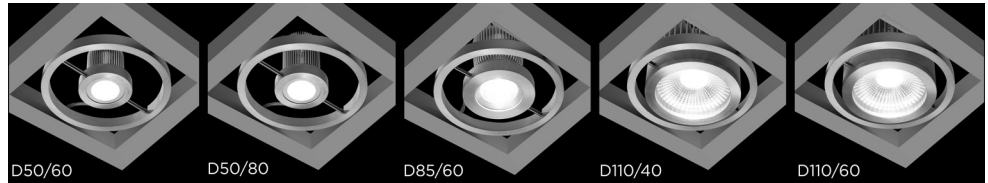
D110/40 - 26W - 15°  
D110/40 - 26W - 24°  
D110/40 - 26W - 38°  
D110/40 - 26W - 48°

D110/60 - 38W - 15°  
D110/60 - 38W - 24°  
D110/60 - 38W - 38°  
D110/60 - 38W - 48°

D110/60 - 49W - 15°  
D110/60 - 49W - 24°  
D110/60 - 49W - 38°  
D110/60 - 49W - 48°

## 5. CCT

3K - 3000K  
4K - 4000K



 <ul style="list-style-type: none"> <li>• D50/60 SPOT - 7W 50mm Diameter base / 60mm tall heat sink</li> </ul>				 <ul style="list-style-type: none"> <li>• D50/80 SPOT - 13W 50mm Diameter base / 80mm tall heat sink</li> </ul>			
*DELIVERED LUMENS				*DELIVERED LUMENS			
<b>D50/60 - 7 WATTS</b>				<b>D50/80 - 13 WATTS</b>			
CITIZEN GEN 6 - CLU028-1204C4				CITIZEN GEN 6 - CLU028-1204C4			
200mA				350mA			
<b>25° BEAM</b>		<b>40° BEAM</b>		<b>25° BEAM</b>		<b>40° BEAM</b>	
3000K	4000K	3000K	4000K	3000K	4000K	3000K	4000K
*910 lumens	*934 lumens	*796 lumens	*817 lumens	*1534 lumens	*1575 lumens	*1342 lumens	*1378 lumens
130 lm/W	133 lm/W	114 lm/W	117 lm/W	118 lm/W	121 lm/W	103 lm/W	106 lm/W

 <ul style="list-style-type: none"> <li>• D85/60 SPOT - 13W &amp; 19W 85mm Diameter base / 60mm tall heat sink</li> </ul>											
*DELIVERED LUMENS											
<b>D85/60 - 13 WATTS</b>						<b>D85/60 - 19 WATTS</b>					
CITIZEN GEN 6 - CLU028-1204C4						CITIZEN GEN 6 - CLU028-1204C4					
350mA						500mA					
<b>25° BEAM</b>		<b>40° BEAM</b>		<b>60° BEAM</b>		<b>25° BEAM</b>		<b>40° BEAM</b>		<b>60° BEAM</b>	
3000K	4000K	3000K	4000K	3000K	4000K	3000K	4000K	3000K	4000K	3000K	4000K
*1821 lm	*1870 lm	*1821 lm	*1870 lm	*1591 lm	*1633 lm	*2511 lm	*2577 lm	*2511 lm	*2577 lm	*2194 lm	*2252 lm
140 lm/W	144 lm/W	140 lm/W	144 lm/W	122 lm/W	126 lm/W	132 lm/W	136 lm/W	132 lm/W	136 lm/W	115 lm/W	118 lm/W

 <ul style="list-style-type: none"> <li>• D110/40 SPOT - 18W &amp; 26W 110mm Diameter base / 40mm tall heat sink</li> </ul>															
*DELIVERED LUMENS															
<b>D110/40 - 18 WATTS</b>								<b>D110/40 - 26 WATTS</b>							
CITIZEN GEN 6 - CLU038-1206C4								CITIZEN GEN 6 - CLU038-1206C4							
500mA								700mA							
<b>15° BEAM</b>		<b>24° BEAM</b>		<b>38° BEAM</b>		<b>48° BEAM</b>		<b>15° BEAM</b>		<b>24° BEAM</b>		<b>38° BEAM</b>		<b>48° BEAM</b>	
3000K	4000K	3000K	4000K	3000K	4000K	3000K	4000K	3000K	4000K	3000K	4000K	3000K	4000K	3000K	4000K
*2552 lm	*2618 lm	*2466 lm	*2531 lm	*2353 lm	*2414 lm	*2098 lm	*2153 lm	*3460 lm	*3550 lm	*3345 lm	*3432 lm	*3191 lm	*3274 lm	*2845 lm	*2919 lm
142 lm/W	145 lm/W	137 lm/W	141 lm/W	131 lm/W	134 lm/W	116 lm/W	120 lm/W	133 lm/W	137 lm/W	129 lm/W	132 lm/W	123 lm/W	126 lm/W	109 lm/W	112 lm/W

 <ul style="list-style-type: none"> <li>• D110/60 SPOT - 38W &amp; 49W 110mm Diameter base / 60mm tall heat sink</li> </ul>															
*DELIVERED LUMENS															
<b>D110/60 - 38 WATTS</b>								<b>D110/60 - 49 WATTS</b>							
CITIZEN GEN 6 - CLU038-1206C4								CITIZEN GEN 6 - CLU038-1206C4							
1000mA								1250mA							
<b>15° BEAM</b>		<b>24° BEAM</b>		<b>38° BEAM</b>		<b>48° BEAM</b>		<b>15° BEAM</b>		<b>24° BEAM</b>		<b>38° BEAM</b>		<b>48° BEAM</b>	
LOR 90%	LOR 87%	LOR 83%	LOR 74%	LOR 90%	LOR 87%	LOR 83%	LOR 74%	LOR 90%	LOR 87%	LOR 83%	LOR 74%	LOR 90%	LOR 87%	LOR 83%	LOR 74%
3000K	4000K	3000K	4000K	3000K	4000K	3000K	4000K	3000K	4000K	3000K	4000K	3000K	4000K	3000K	4000K
*4727 lm	*4849 lm	*4569 lm	*4687 lm	*4359 lm	*4472 lm	*3886 lm	*3987 lm	*5840 lm	*5853 lm	*5645 lm	*5658 lm	*5386 lm	*5391 lm	*4802 lm	*4812 lm
124 lm/W	128 lm/W	120 lm/W	123 lm/W	115 lm/W	118 lm/W	102 lm/W	105 lm/W	119 lm/W	120 lm/W	115 lm/W	115 lm/W	110 lm/W	110 lm/W	98 lm/W	98 lm/W

# LIGHTPLANE 9 — LP9

Suspended, Wall Sconce

# ZALITE

---

## 6. Driver

0/1-10V	0/1-10V dimming
DALI	DALI dimming
DMX	DMX dimming
NONDIM	Non-dimmable
OTHER	(Consult factory for options)

---

## 7. Finish

AL	Standard, natural aluminum
BK	Black powdercoat
WH	White powdercoat
Custom	Custom Color

---

## 8. Additional options

EM	1.5 hour Emergency Kit
MS	Motion sensor
Others	Contact factory

# LIGHTPLANE 9 — LP9

Suspended, Wall Sconce

# ZALITE

---

## Housing

100% recyclable, extruded architectural grade T6063 aluminum

---

## Emergency

Luminaires can be wired for emergency circuit and/or emergency battery backup.  
Consult factory for options.

---

## Options

### Mitered Corners

Consult factory for mitered corner angle options.

---

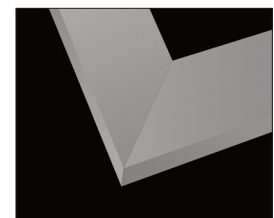
## Finish

Standard finish is "Ultimate" aluminum - a smooth, clean and durable finish achieved from a deep-etch and two step clear anodizing process.

White, Black, Custom powdercoat options also available.



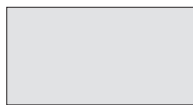
Suspension & Power



Mitered Corners



WH - WHITE



AL - ALUMINUM



BK - BLACK



Custom / \_\_\_\_

Default canopy finish  
is to match fitting color,  
unless otherwise  
specified



ISO 9001:2015