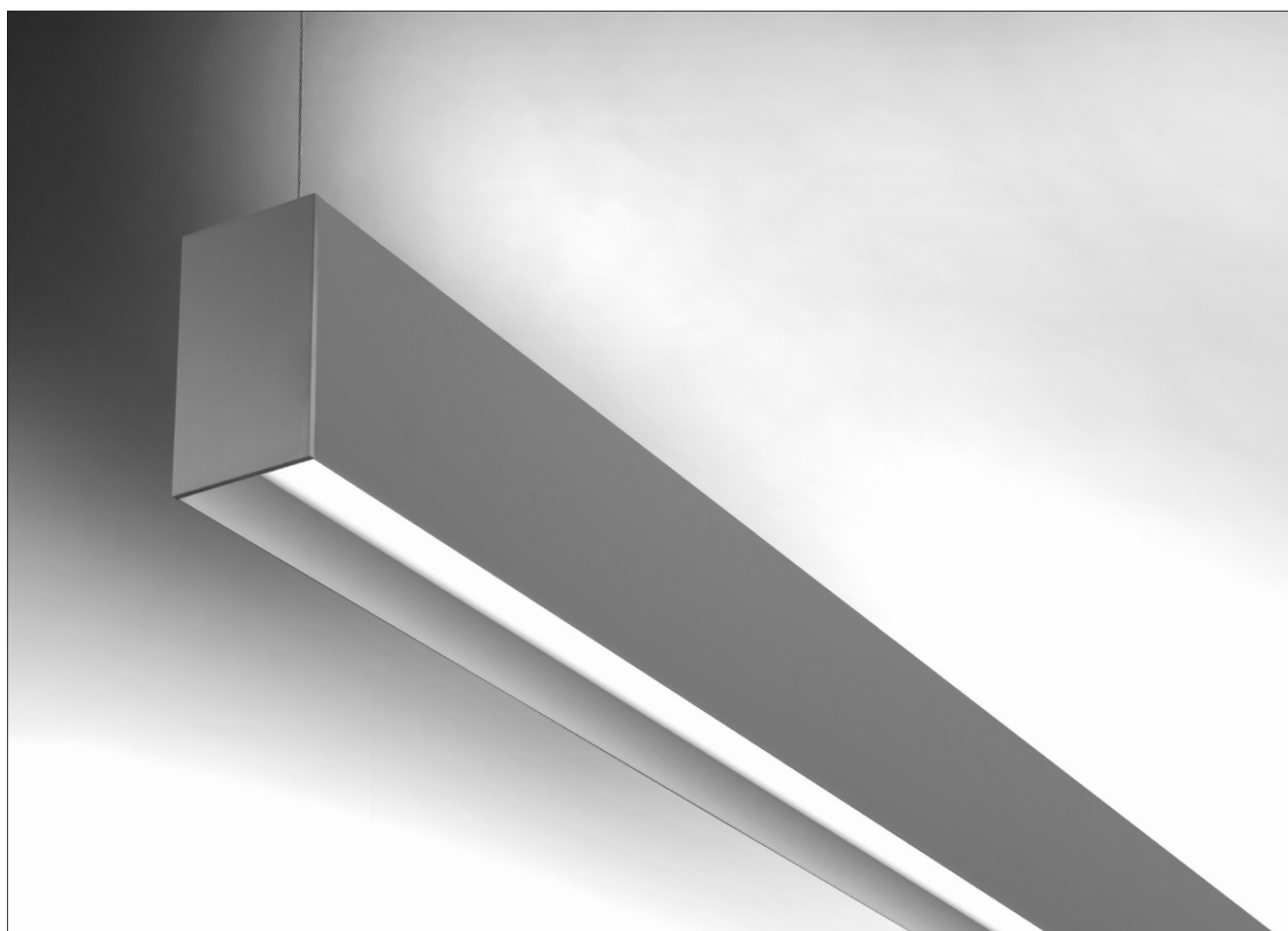


LIGHTPLANE 1 CONCAVE - LPLCID

Indirect / Direct

Suspended
Wall



LIGHTPLANE 1 CONCAVE — LPL1CID

ZALITE

INDIRECT / DIRECT - Suspended, Wall, Surface

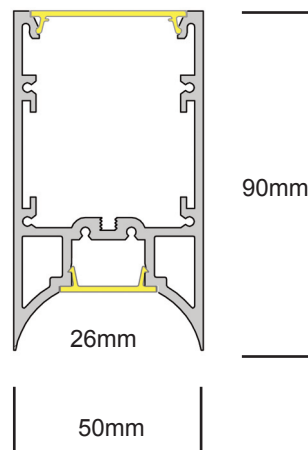


LIGHTPLANE 1 CONCAVE — LPL1CID

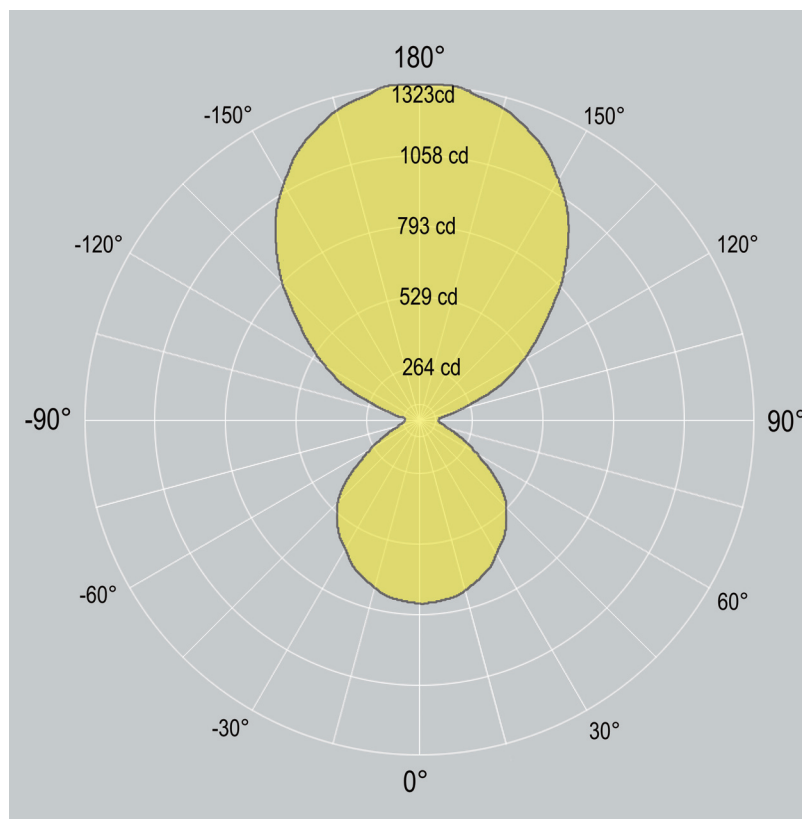
ZALITE

INDIRECT / DIRECT - Suspended, Wall, Surface

Dimensions



Distribution



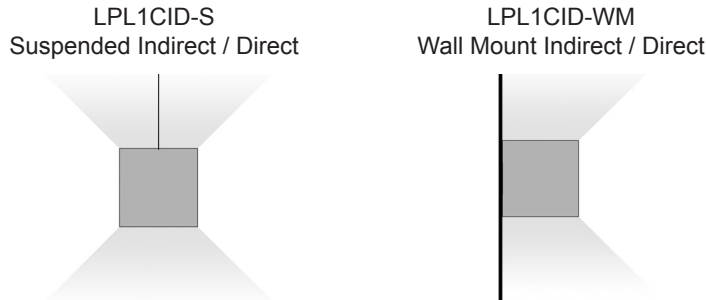
LIGHTPLANE 1 CONCAVE — LPL1CID



INDIRECT / DIRECT - Suspended, Wall, Surface

1. Base Model

LPL1CID-S	Suspended (Indirect / Direct)
LPL1CID-WM	Wall Mounted (Indirect / Direct)



2. Run Length

Enter total linear length, (example: 6M)

3. LED Lamping (indirect) - If no uplight is required order fitting "LPL1C".

STD - **xxxxK** (example: STD-4000K) Standard Output, 5100 delivered lm/M, 2x20W/M, 88 lm/W @ 4000K

HI - **xxxxK** (example: HI-4000K) High Output, 5880 delivered lm/M, 2x30W/M, 84 lm/W @ 4000K

CCT: 3000K 3500K 4000K Option: 2700K 5000K 5700K 6500K

Additional LED Options

CV Constant Voltage (for custom lengths) - 12Vdc/24Vdc

Contact factory for detail

TW Tunable White (2700K - 6500K)

Contact factory for detail

RGBW RGB+WHITE - 12Vdc/24Vdc

Contact factory for detail

4. LED Driver

0/1-10V 0/1-10V dimming

DALI DALI dimming

DMX DMX dimming

NONDIM Non-dimmable

OTHER (Consult factory for options)

5. Finish

AL Standard, natural aluminum

BK Black powdercoat

WH White powdercoat

Custom Custom Color

6. Additional options

EM 1.5 hour Emergency Kit

MS Motion sensor

Others Contact factory

LIGHTPLANE 1 CONCAVE — LPL1CID

INDIRECT / DIRECT - Suspended, Wall, Surface

ZALITE

Housing

100% recyclable, extruded architectural grade T6063 aluminum

Emergency

Luminaires can be wired for emergency circuit and/or emergency battery backup.
Consult factory for options.

Options

Mitered Corners

Consult factory for mitered corner angle options.

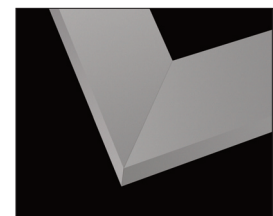
Finish

Standard finish is "Ultimate" aluminum - a smooth, clean and durable finish achieved from a deep-etch and two step clear anodizing process.

White, Black, Custom powdercoat options also available.



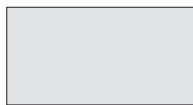
Suspension & Power



Mitered Corners



WH - WHITE



AL - ALUMINUM



BK - BLACK



Custom / ____

Default canopy finish
is to match fitting color,
unless otherwise
specified



ISO 9001:2015