
LIGHTPLANE 1S - LPL1S

Suspended (adjustable)

Wall

Surface



LIGHTPLANE 1S — LPL1S

Suspended (Adjustable), Wall, Surface

ZALITE

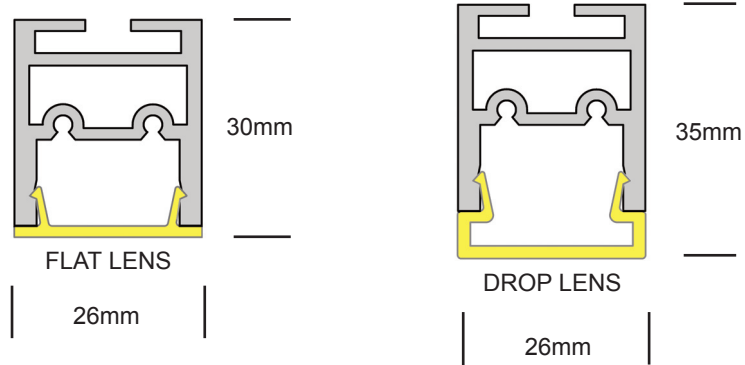


LIGHTPLANE 1S — LPL1S

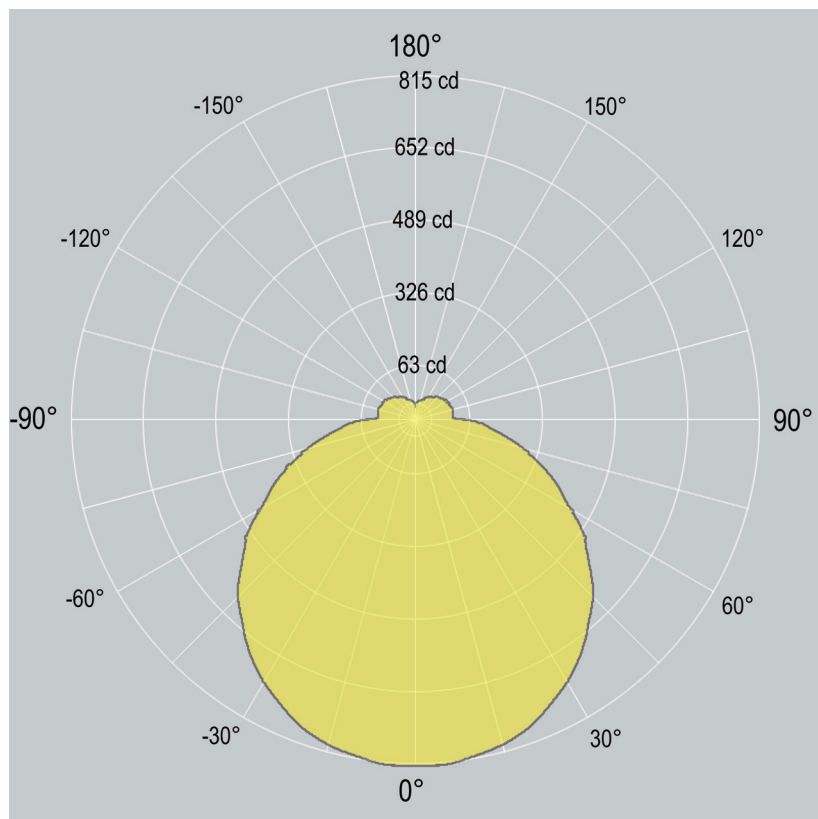
Suspended (Adjustable), Wall, Surface

ZALITE

Dimensions



Distribution



LIGHTPLANE 1S — LPL1S

Suspended (Adjustable), Wall, Surface

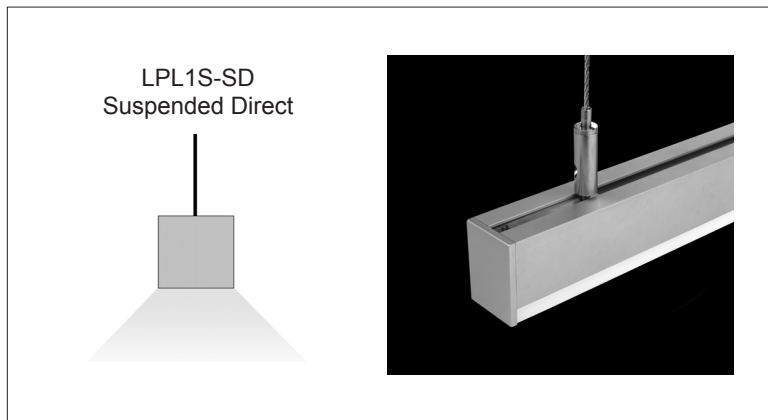


1. Base Model

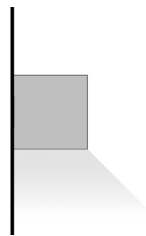
LPL1S-SD	Suspended Direct (with adjustable sliding suspension)
LPL1S-SM	Surface Mount
LPLS-WMD	Wall Mounted Direct
LPLS-WMI	Wall Mounted Indirect

2. Run Length

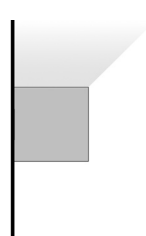
Enter total linear length, (example: 6M)



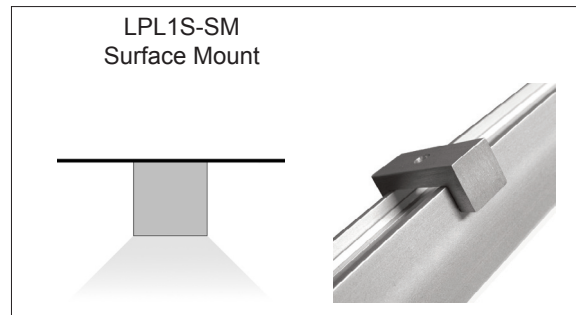
LPL1S-WMD
Wall Mount Direct



LPL1S-WMI
Wall Mount Indirect



LPL1S-SM
Surface Mount



3. LED Lamping

STD - xxxx K (example: STD-4000K)	Standard Output, LED 20 W/M, 2000 delivered lm/M , 87lm/W @ 4000K
HI - xxxx K (example: HI-4000K)	High Output, LED 30 W/M, 2900 delivered lm/M, 83 lm/W @ 4000K
	CCT: 3000K 3500K 4000K Option: 2700K 5000K 5700K 6500K
CV - xxxx K	Additional LED Options Constant Voltage (for custom lengths) - 12Vdc/24Vdc Contact factory for detail
TW	Tunable White (2700K - 6500K) Contact factory for detail
RGBW - xxxx K	Standard Output - RGB+WHITE - 12Vdc/24Vdc Contact factory for detail

LIGHTPLANE 1S — LPL1S

Suspended (Adjustable), Wall, Surface

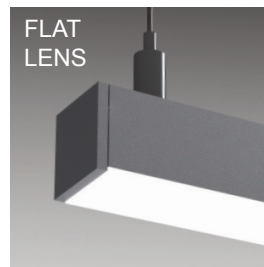
ZALITE

4. LED Driver (remote only)

0/1-10V	0/1-10V dimming
DALI	DALI dimming
DMX	DMX dimming
NONDIM	Non-dimmable
OTHER	(Consult factory for options)

5. Lens

FLAT	Flat Lens
DROP	Drop Lens



6. Finish

AL	Standard, natural aluminum
BK	Black powdercoat
WH	White powdercoat
Custom	Custom Color

7. Additional options

EM	1.5 Hour Emergency Kit - remote
MS	Motion sensor
Others	Contact factory

LIGHTPLANE 1S — LPL1S

Suspended (Adjustable), Wall, Surface

ZALITE

Housing

100% recyclable, extruded architectural grade T6063 aluminum

Emergency

Luminaires can be wired for emergency circuit and/or emergency battery backup.
Consult factory for options.

Options

Mitered Corners

Consult factory for mitered corner angle options.

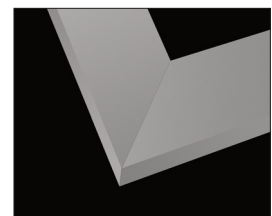
Finish

Standard finish is "Ultimate" aluminum - a smooth, clean and durable finish achieved from a deep-etch and two step clear anodizing process.

White, Black, Custom powdercoat options also available.



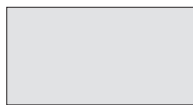
Suspension & Power



Mitered Corners



WH - WHITE



AL - ALUMINUM



BK - BLACK



Custom / ____

Default canopy finish
is to match fitting color,
unless otherwise
specified



ISO 9001:2015