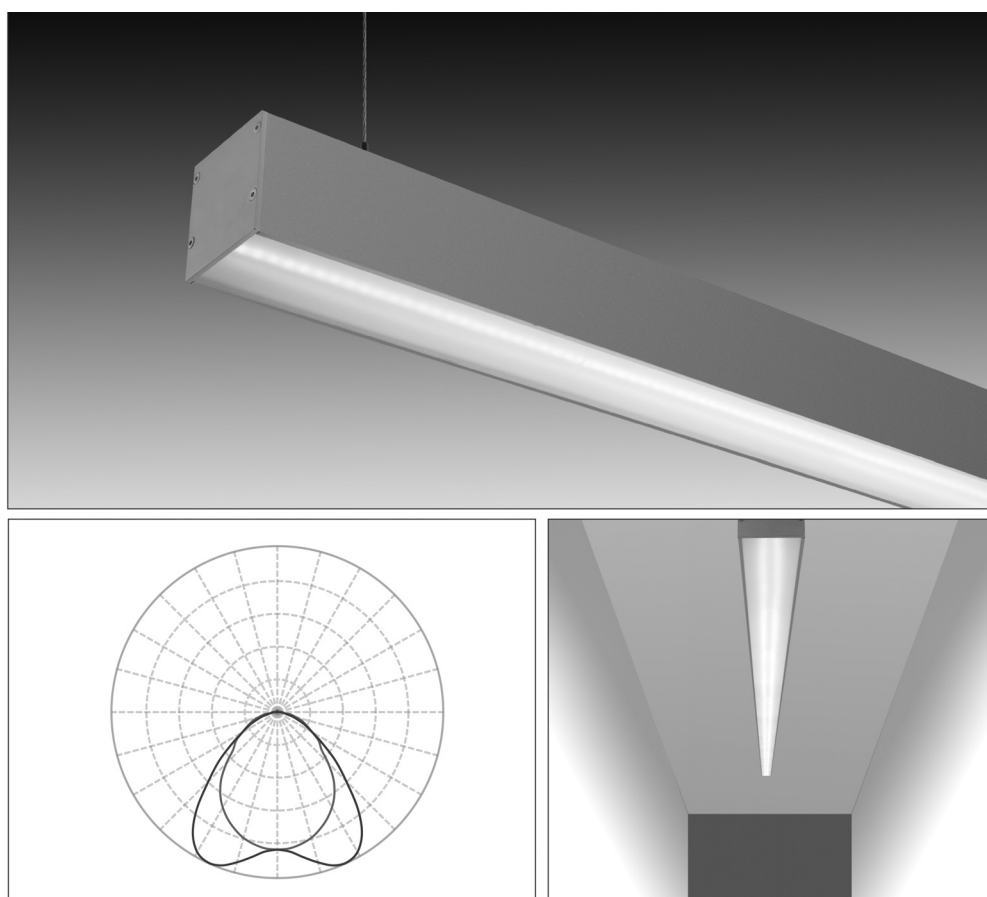


---

# LIGHTPLANE 2.5 AB - LPL2.5AB

Split Optic - Linear Corridor Luminaire

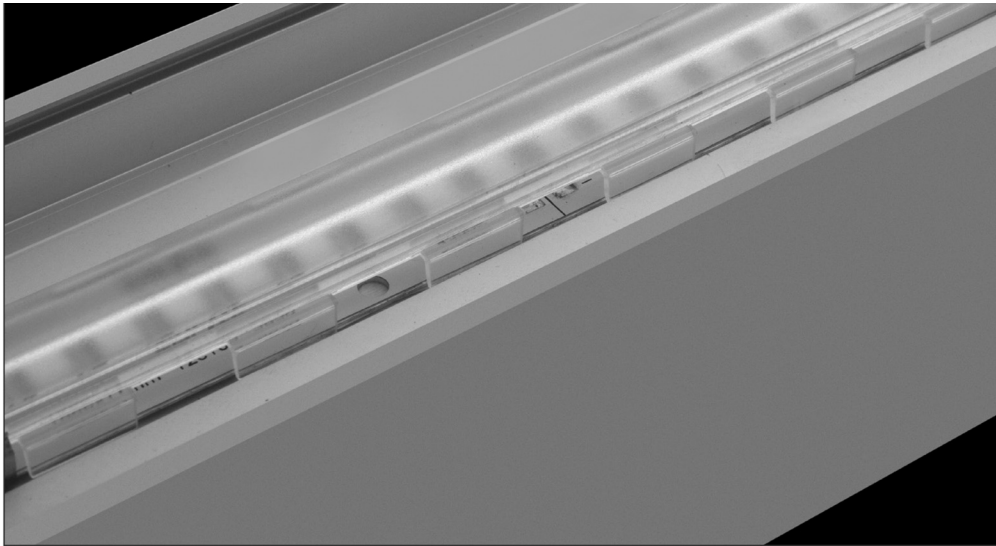
Suspended  
Surface



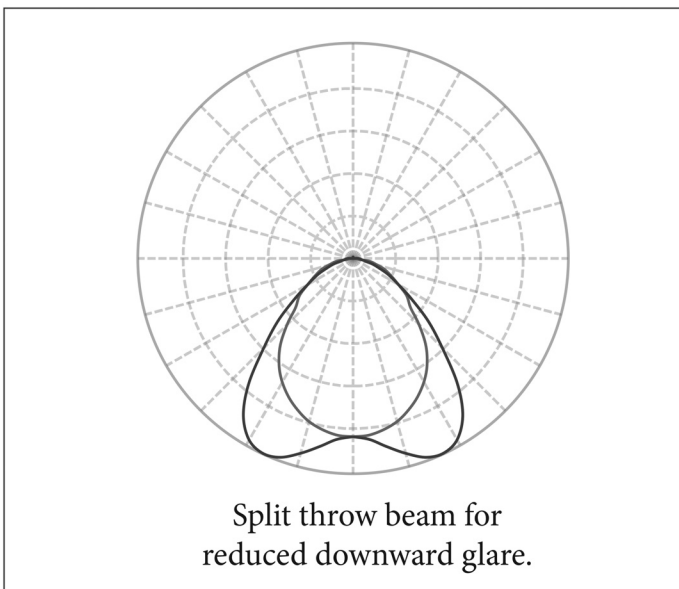
# LIGHTPLANE 2.5 AB - LPL2.5AB

Suspended, Surface

# ZALITE



- Split throw wall washer for hallways
- Reduced downward glare for corridor traffic
- 3 Power options available
- Efficient prismatic diffusion plate
- Sliding adjustable suspension point
- Surface/ceiling mounted option



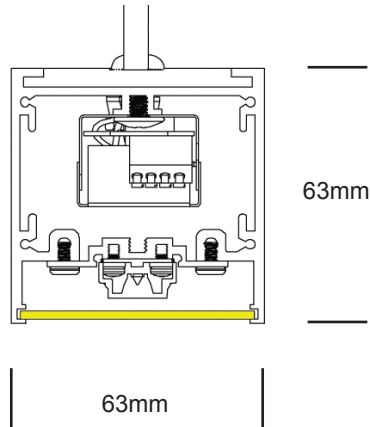
# LIGHTPLANE 2.5 AB - LPL2.5AB

Suspended, Surface

# ZALITE

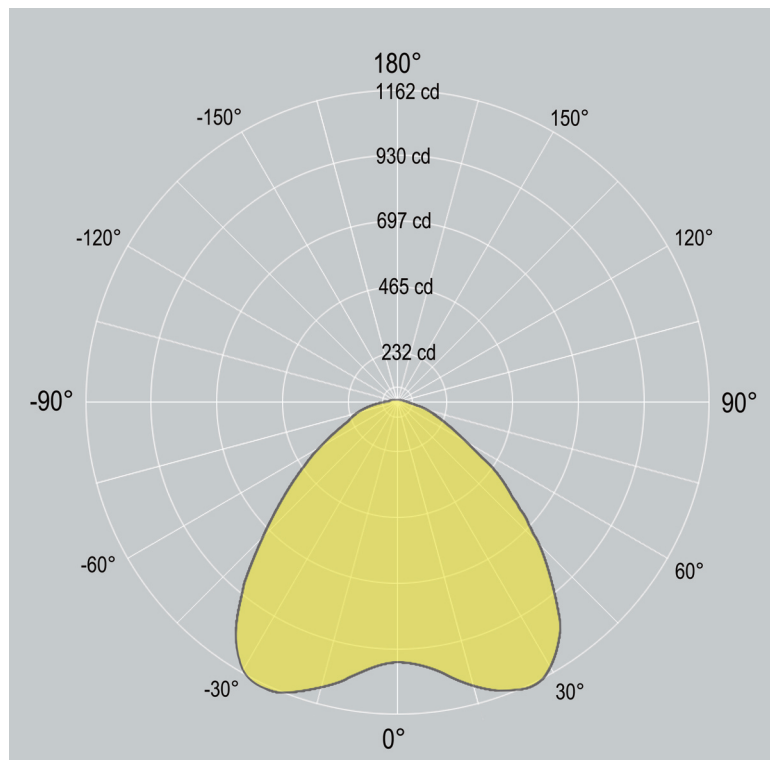
## Dimensions

---



## Distribution

---



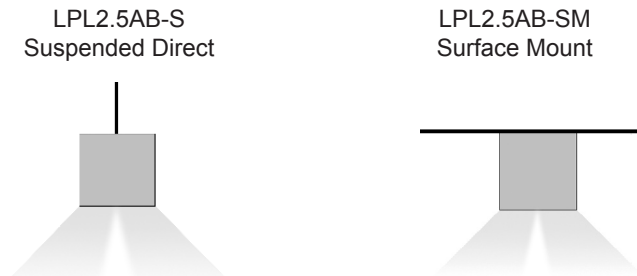
# LIGHTPLANE 2.5 AB - LPL2.5AB



Suspended, Surface

## 1. Base Model

LPL2.5AB-S	Suspended
LPL2.5AB-SM	Surface Mount



## 2. Run Length

Enter total linear length, (example: 6M)

## 3. LED Lamping

STD - <b>xxxxK</b>	Standard Output, LED 20W/M 2650 delivered lm/M, 93 lm/W @ 4000K
HI - <b>xxxxK</b>	High Output, LED 30W/M 3050 delivered lm/M, 88 lm/W @ 4000K
	CCT: 3000K 3500K 4000K Option: 2700K 5000K 5700K 6500K
CV	Additional Single Row LED Options Constant Voltage (for custom lengths) - 12Vdc/24Vdc Contact factory for detail
TW	Tunable White (2700K - 6500K) Contact factory for detail
RGBW	Standard Output - RGB+WHITE - 24Vdc/12Vdc Contact factory for detail

## 4. Driver

0/1-10V	0/1-10V dimming
DALI	DALI dimming
DMX	DMX dimming
NONDIM	Non-dimmable
OTHER	(Consult factory for options)

## 5. Finish

AL	Standard, natural aluminum
BK	Black powdercoat
WH	White powdercoat
Custom	Custom Color

## 6. Additional options

EM	1.5 hour Emergency Kit
MS	Motion sensor
OTHER	Contact Factory

# LIGHTPLANE 2.5 AB - LPL2.5AB

Suspended, Surface

# ZALITE

---

## Housing

100% recyclable, extruded architectural grade T6063 aluminum

---

## Emergency

Luminaires can be wired for emergency circuit and/or emergency battery backup. Consult factory for options.

---

## Options

### Mitered Corners

Consult factory for mitered corner angle options.

---

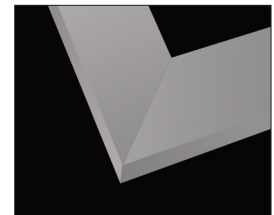
## Finish

Standard finish is "Ultimate" aluminum - a smooth, clean and durable finish achieved from a deep-etch and two step clear anodizing process.

White, Black, Custom powdercoat options also available.



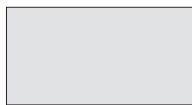
Suspension & Power



Mitered Corners



WH - WHITE



AL - ALUMINUM



BK - BLACK



Custom / \_\_\_\_

Default canopy finish is to match fitting color, unless otherwise specified



ISO 9001:2015