

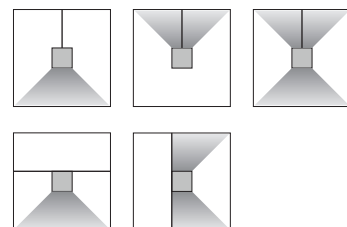
LPL2CID-WM-1200MM-STR-LSTD-STD

## Features

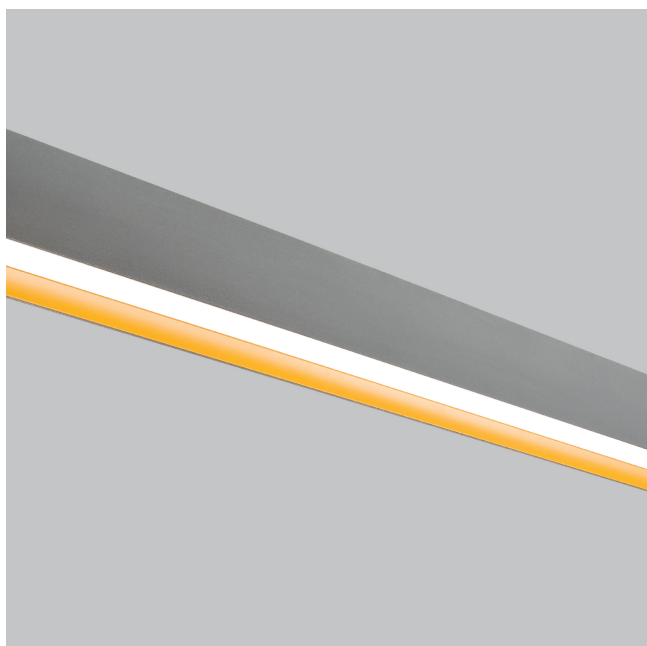
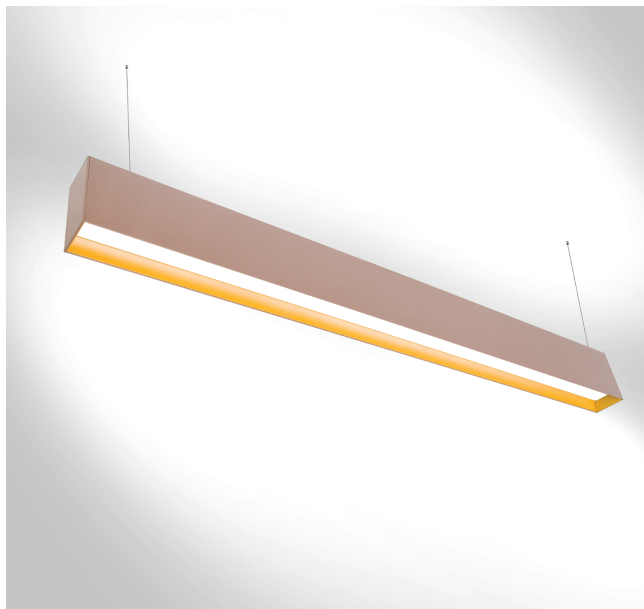
- Two-tone channel design
- Direct-indirect distribution
- Low UGR spot cluster or linear lens available
- Custom shapes and configurations
- Built-in driver, dim or non-dim available
- 100% recyclable, extruded architectural grade T6063 aluminum

## Mounting

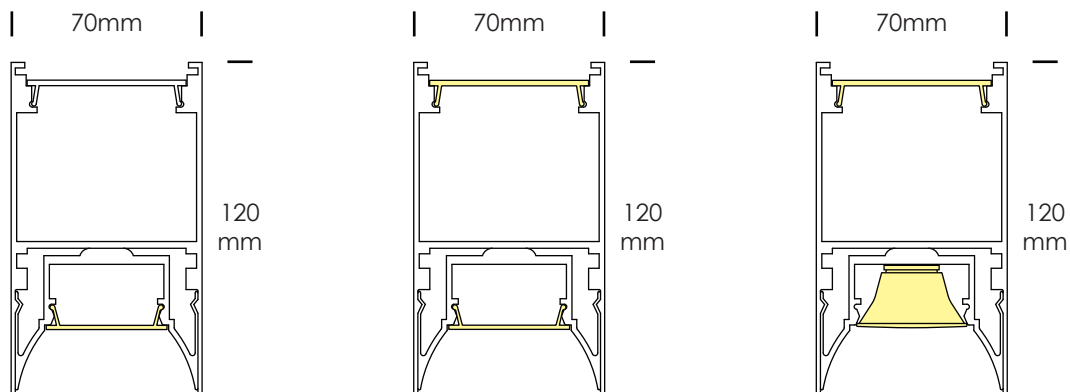
- Suspended, surface, wall



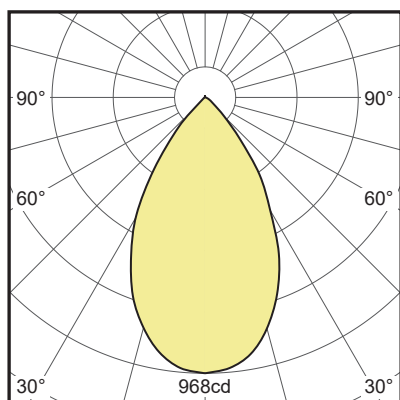
## PHOTOS



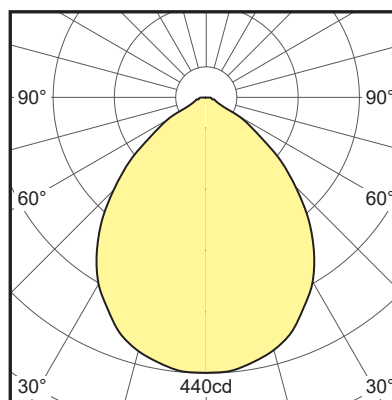
## Dimensions



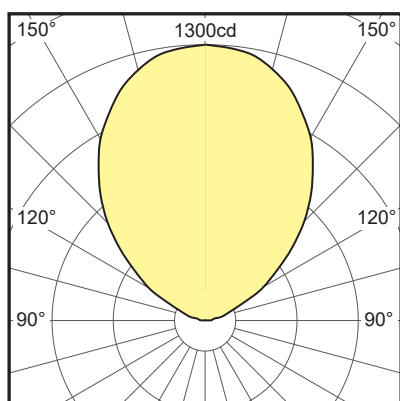
## Distributions



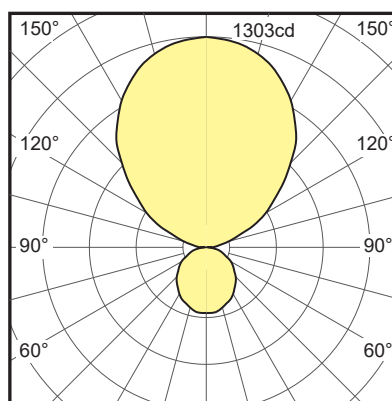
Spot cluster- direct



LED strip- direct



LED strip- indirect



LED strip-direct and indirect

## Ordering Info

### 1. BASIC MODEL

LPL2CID-S	Suspended - direct / indirect / direct-indirect
LPL2CID-SM	Surface mount - direct only
LPL2CID-WM	Wall mount - direct / indirect / direct-indirect

### 2. SIZE AND SHAPE

xxxxmm - STR	Straight - specify individual or continuous run length in mm
xxxxmm - SQ	Square - specify outside dimension in mm
xxxxmm - REC	Rectangle - specify outside dimension in mm
xxxxmm - TEE	T- Shape - specify length in mm
xxxxmm - Special Shape	Radom connection of sectional straight

\* Sample configuration diagrams as below.



Square



Rectangle



U-Shape



T-Shape



Cross



Zed

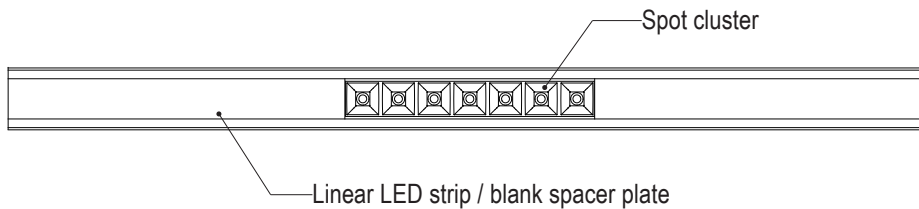
### 3. LED LAMPING - DIRECT LIGHT

<b>L - STD - xxxxK</b>	Linear LED strip, standard output, LED 20W/M
<b>L - HI - xxxxK</b>	Linear LED strip, high output, LED 30W/M
<b>S - STD - xxxxK</b>	Spot cluster, standard output, LED 9W per cluster
<b>S - HI - xxxxK</b>	Spot cluster, high output, LED 14W per cluster
<b>NONE</b>	No Linear LED strip or spot cluster, with blank spacer plate

Note: Standard CCT: **3000K, 3500K, 4000K**; **CRI80 and CRI90** are available.

Other option: 2700K, 5000K, 5700K, 6500K, red, green, blue, TUNE(2700K-6500K). Contact factory for details.

See page 7 for more specification of spot cluster, see page 9 for information of LED lamping output.



### 4. LED LAMPING - INDIRECT LIGHT

<b>L - STD - xxxxK</b>	Linear LED strip, standard output, LED 20W/M
<b>L - HI - xxxxK</b>	Linear LED strip, high output, LED 30W/M
<b>NONE</b>	DIRECT-ONLY fixture

Note: Standard CCT: **3000K, 3500K, 4000K**; **CRI80 and CRI90** are available.

Other option: 2700K, 5000K, 5700K, 6500K, red, green, blue, TUNE(2700K-6500K). Contact factory for details.

See page 7 for more specification of spot cluster, see page 9 for information of LED lamping output.

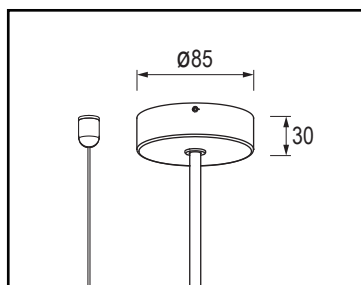
### 5. DRIVER (REMOTE ONLY)

<b>STD</b>	Non-dimmable
<b>0/1-10V</b>	1-10V / 0-10V dimming
<b>DALI</b>	DALI dimming
<b>DMX</b>	DMX dimming
<b>OTHER</b>	Consult factory for options

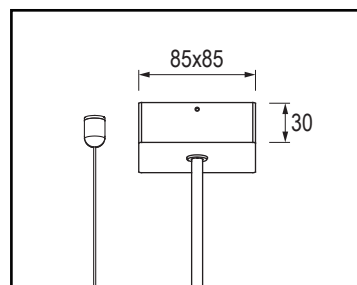
## 6. SUSPENSION MOUNT CANOPY

**RC** \_\_\_\_\_ Canopy in round shape - suspended only

**SC** \_\_\_\_\_ Canopy in square shape - suspended only



Round canopy

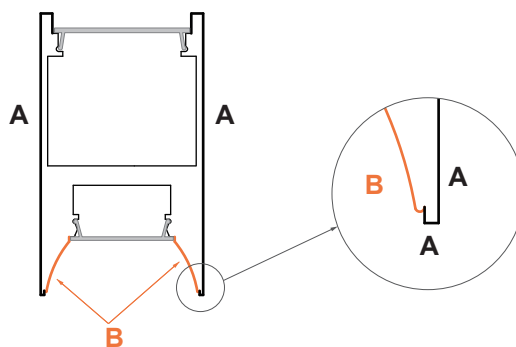


Square canopy

## 7. FINISH

**AA / BB** \_\_\_\_\_ Specify the finish of surface A and surface B

*Note: See page 7 and page 8 for finish swatch and additional information.*



## 8. OPTIONAL ADD-ONS

**EM** \_\_\_\_\_ 1.5 hour emergency kit (remote only)

**SS** \_\_\_\_\_ PIR sensor

**OTHERS** \_\_\_\_\_ Consult factory for options

## SPECIFICATION DETAILS

### SPOT CLUSTER

Spot Cluster is a series of linear module with LEDiL lens and Tridonic LED strip. Lens is designed with  $UGR < 16$ . The series includes black and white color shades with 50 and 80 degrees lens - provides more optic options. The length of module is 280mm.



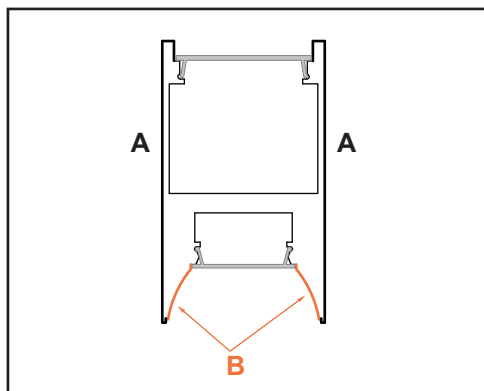
### SLIDED SUSPENSION KIT

The fixture is designed with slided suspension kit for suspended mounting. The slided suspension kit provides flexible and convenient installation in field. It's available to change the position and quantity of suspension kits when the ceiling layout is changed during installation.

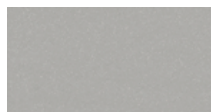


### TWO TONE - DUAL COLOR OPTION

The two-tone channel design provides more options to get colorful and stylistic. Choose finish for surface A and surface B from the color guide in next page - ANODIZED, BASIC POWDER COAT and METALLIC POWDER COAT.



## ANODIZED



anodized aluminum

## BASIC POWDER COAT



RAL 9003  
signal white



RAL 9010  
pure white



RAL 9006  
white aluminum



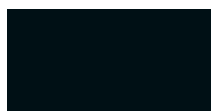
RAL 7037  
dusty grey



RAL 7015  
slate grey



RAL 7016  
anthracite grey



RAL 9005  
jet black



RAL 9004  
signal black



RAL 8019  
grey brown



RAL 8003  
clay brown



RAL 1036  
pearl gold



RAL 1035  
pearl beige



RAL 5014  
pigeon blue



RAL 5007  
brilliant blue



RAL 5002  
ultramarine blue



RAL 6024  
traffic green



RAL 6018  
yellow green



RAL 6027  
light green



RAL 4002  
red violet



RAL 3002  
carmine red



RAL 2010  
signal orange



RAL 2003  
pastel orange



RAL 1004  
golden yellow



RAL 1021  
colza yellow

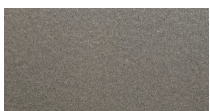
## METALLIC POWDER COAT



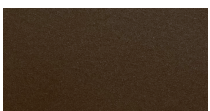
black silver



charcoal grey



pearl mouse grey



terra brown



nut brown



golden

## SPECIAL ORDER FINISHES

Choose your RAL color or provide your custom color sample.  
Consult factory for additional information if you would like to specify special finishes.



# Lightplane Linear 2 Concave - LPL2CID

# ZALITE

Suspended, Surface, Wall

## PERFORMANCE DATA - LED LAMPING

OUTPUT OPTIONS	DELIVERED LUMENS	WATTS	CRI OPTIONS	CCT OPTIONS	LED LAMPING
L-STD	3878	50.7	80 90	2700K 3000K 3500K 4000K 5000K 6500K	LED strip, direct-indirect light
L-HI	5126	72			LED strip, direct-indirect light
L-STD-D	1002	23.6			LED strip, direct light only
L-HI-D	1428	36			LED strip, direct light only
S-STD	910	9.3	80		Spot cluster
S-HI	1313	14	80		Spot cluster

*Note: Data provided for LED strip options is from a photometric test of 1.2 meter fixture output with 90CRI at 4000K using a non-dimmable driver.  
Data provided for spot cluster options is from a photometric test of one set of spot cluster output with 80CRI at 4000K using a non-dimmable driver.*



*More information and data,  
please visit:  
[www.zalite.cn](http://www.zalite.cn)*

V1.0\_2021-07