

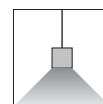
LPL3.5FM-S-1200-CIRCLE & LPL3.5FM-S-1200-STR

Features

- Custom curved or straight shapes and configurations
- Low glare prismatic lens with custom width
- Flood and accent distribution combination
- Remoted driver, dim or non-dim available
- Wide range of finishes
- 100% recyclable, extruded architectural grade T6063 aluminum

Mounting

- Suspended



Lightplane Linear 3.5 - LPL3.5FM

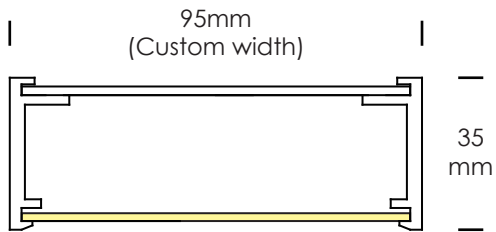
Suspended

ZALITE

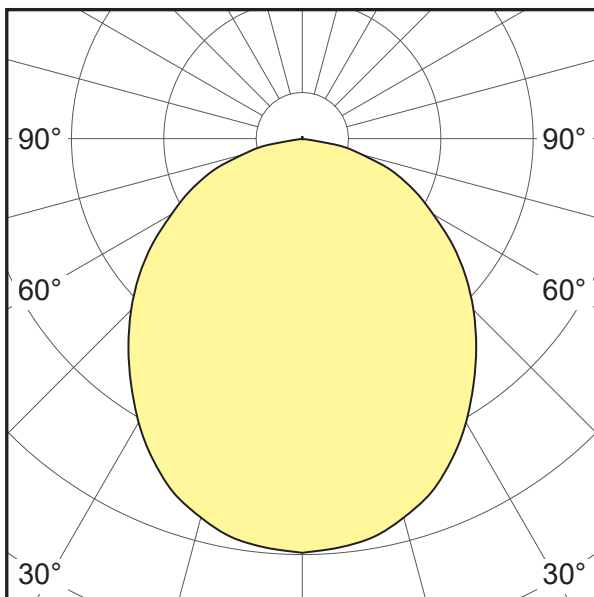
PHOTOS



Dimensions



Distributions



Suspended

3. LED LAMPING - DIRECT LIGHT

LOW - xxxxK	Linear LED strip, low output, LED 20W/M
STD - xxxxK	Linear LED strip, standard output, LED 30W/M
HI - xxxxK	Linear LED strip, high output, LED 40W/M
??-25W-xxxxK-18	25W HV spot, 18° - specify the quantity(??) and CCT(xxxxK) of spot
??-25W-xxxxK-24	25W HV spot, 24° - specify the quantity(??) and CCT(xxxxK) of spot
??-25W-xxxxK-36	25W HV spot, 36° - specify the quantity(??) and CCT(xxxxK) of spot

Note: Standard CCT: 3000K, 3500K, 4000K; CRI80 and CRI90 are available.

Other option: 2700K, 5000K, 5700K, 6500K, red, green, blue, RGB, RGBW, TUNE(2700K-6500K). Contact factory for details.

See page 7 for information of LED lamping output.



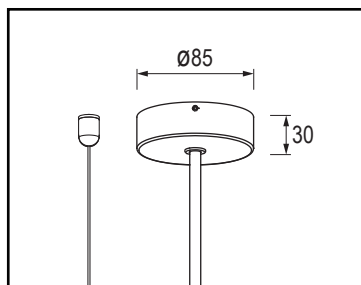
4. DRIVER (REMOTE ONLY)

STD	Non-dimmable
0/1-10V	1-10V / 0-10V dimming
DALI	DALI dimming
DMX	DMX dimming
OTHER	Consult factory for options

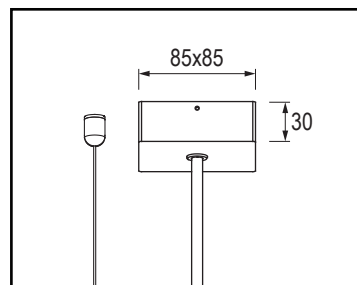
5. SUSPENSION MOUNT CANOPY

RC Canopy in round shape - suspended only

SC Canopy in square shape - suspended only



Round canopy



Square canopy

6. FINISH

BK Matt black powercoat

WH Matt white powercoat

SG Silver grey powercoat

CF Custom finish - RAL or Pantone or other finish options



Matt black



Matt white



Silver grey



Custom

7. OPTIONAL ADD-ONS

EM 1.5 hour emergency kit (remote only)

SS PIR sensor

OTHERS Consult factory for options

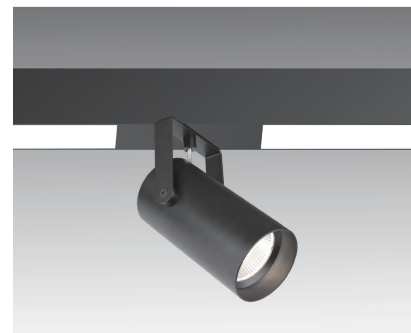
SPECIFICATION DETAILS

HV SPOT

HV Spot can be rotatable 355 degrees and adjustable 90 degrees. The high-quality reflector ensures a particularly precise beam characteristic at three different angles (18/24/36 deg). The spot can come with non-dimmable driver or dimmable driver which is installed in LPL2.5MD housing.

355°
rotatable 355 degrees

90°
adjustable 90 degrees



PERFORMANCE DATA - LED LAMPING

OUTPUT OPTIONS	DELIVERED LUMENS	WATTS	CRI OPTIONS	CCT OPTIONS	LED LAMPING
LOW	1537	21.9	80 90	2700K 3000K 3500K 4000K 5000K 6500K	LED strip, 4000K, direct light only
STD	2252	32.5			LED strip, 4000K, direct light only
HI	3074	43.7			LED strip, 4000K, direct light only
HVS	2420	27.2	80		HV spot, 4000K

Note: Data provided for LED strip options is from a photometric test of 1 meter fixture output with 90CRI at 4000K using a non-dimmable driver.

Data provided for spot options is from a photometric test of one spotlight output with 80CRI at 4000K using a non-dimmable driver.



More information and data,
please visit:
www.zalite.cn

V1.0_2022-09