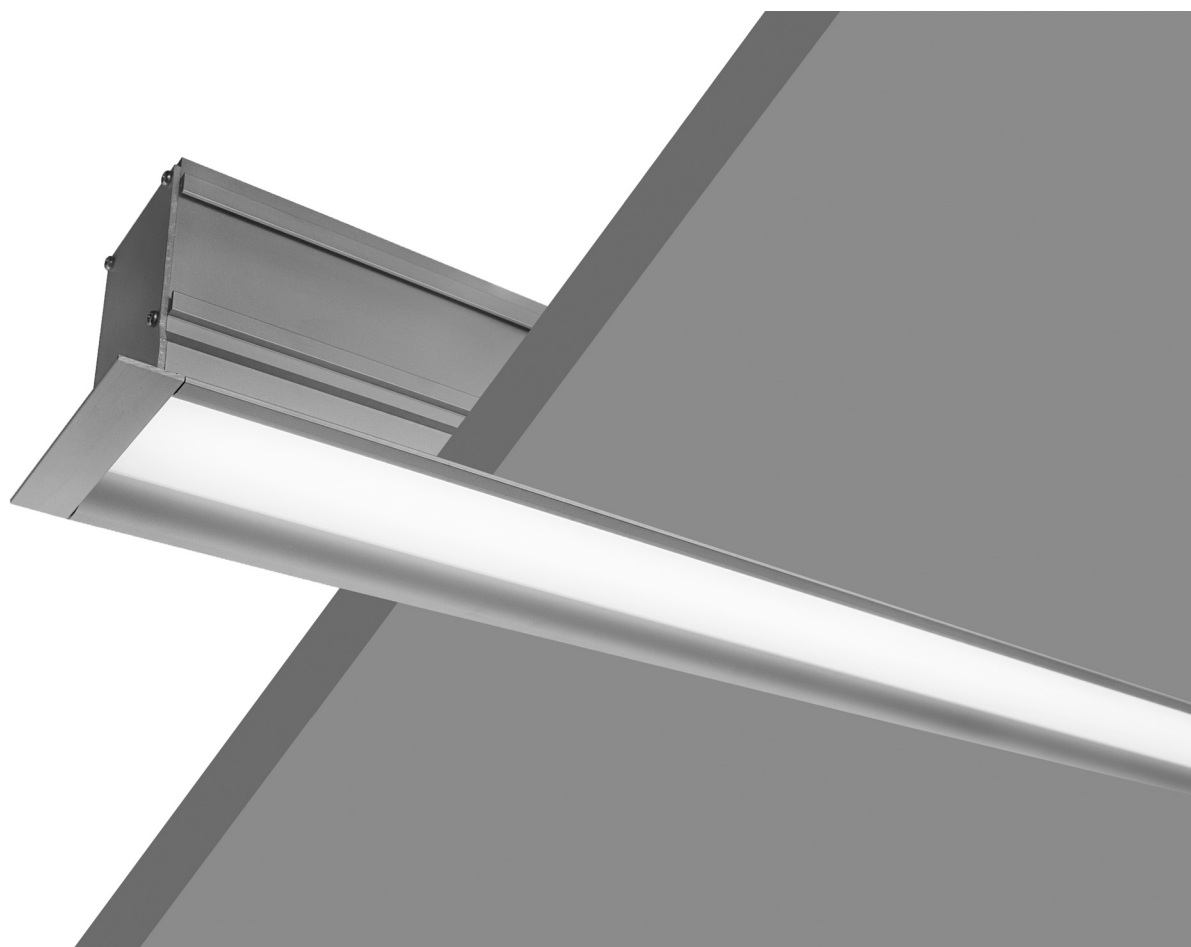

LIGHTPLANE RECESSED 2.50A

LPLR2.50A

Recessed - with Trim

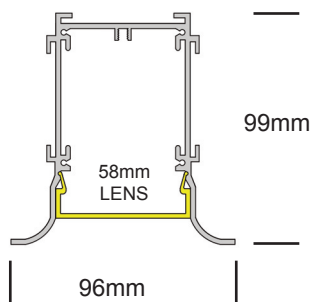


LIGHTPLANE RECESSED 2.50A

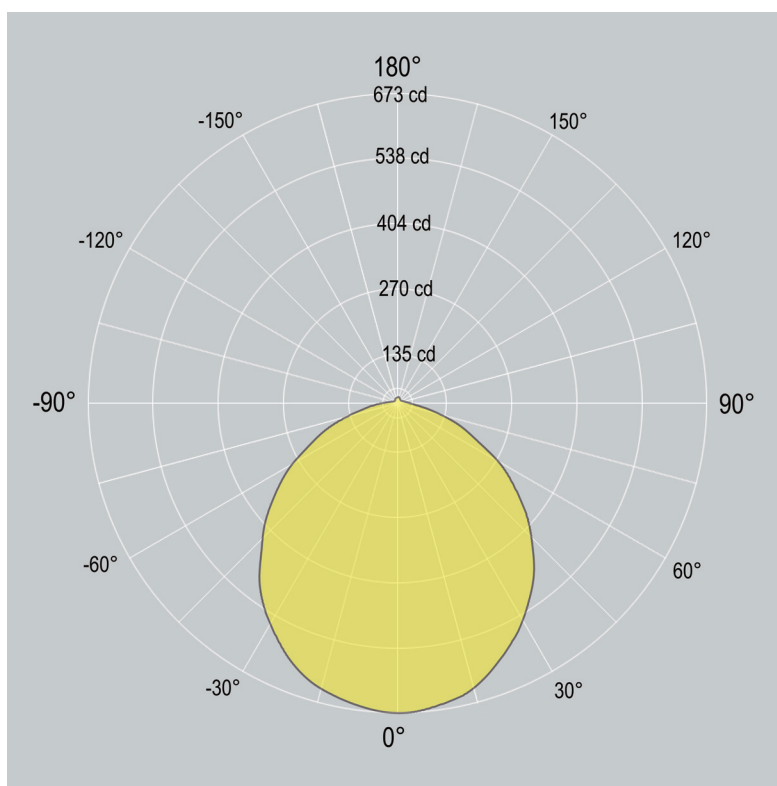
Recessed with Trim

ZALITE

Dimensions



Distribution



LIGHTPLANE RECESSED 2.50A

Recessed with Trim

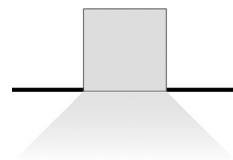
ZALITE

1. Base Model

LPLR2.50A

Recessed - with Trim

LPLR2.50A
Recessed



2. Run Length

Enter total linear length, (example: 6M)

3. LED Lamping

	SINGLE ROW LINEAR LED
STD - xxxxK	Standard Output, LED 20W/M, 1750 delivered lm/M @ 4000K
HI - xxxxK	High Output, LED 30W/M 2430 delivered lm/M @ 4000K
	CCT: 3000K 3500K 4000K Option: 2700K 5000K 5700K 6500K Dual Row LED strip Available
	Additional Single Row LED Options
CV	Constant Voltage (for custom lengths) - 12Vdc/24Vdc Contact factory for detail
TW	Tunable White (2700K - 6500K) Contact factory for detail
RGBW	Standard Output - RGB+WHITE - 24Vdc/12Vdc Contact factory for detail

4. LED Driver

0/1-10V	0/1-10V dimming
DALI	DALI dimming
DMX	DMX dimming
NONDIM	Non-dimmable
OTHER	(Consult factory for options)

5. Finish

AL	Standard, natural aluminum
BK	Black powdercoat
WH	White powdercoat
Custom	Custom Color

6. Additional options

EM	1.5 Hour Emergency Kit
MS	Motion Sensor
Others	Contact factory

LIGHTPLANE RECESSED 2.50A

Recessed with Trim

ZALITE

Housing

100% recyclable, extruded architectural grade T6063 aluminum

Emergency

Luminaires can be wired for emergency circuit and/or emergency battery backup.
Consult factory for options.

Options

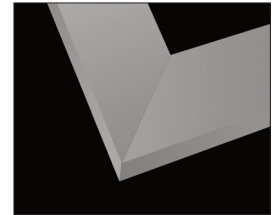
Mitered Corners

Consult factory for mitered corner angle options.

Finish

Standard finish is "Ultimate" aluminum - a smooth, clean and durable finish achieved from a deep-etch and two step clear anodizing process.

White, Black, Custom powdercoat options also available.



Mitered Corners



WH - WHITE



AL - ALUMINUM



BK - BLACK



Custom/_____



ISO 9001:2015