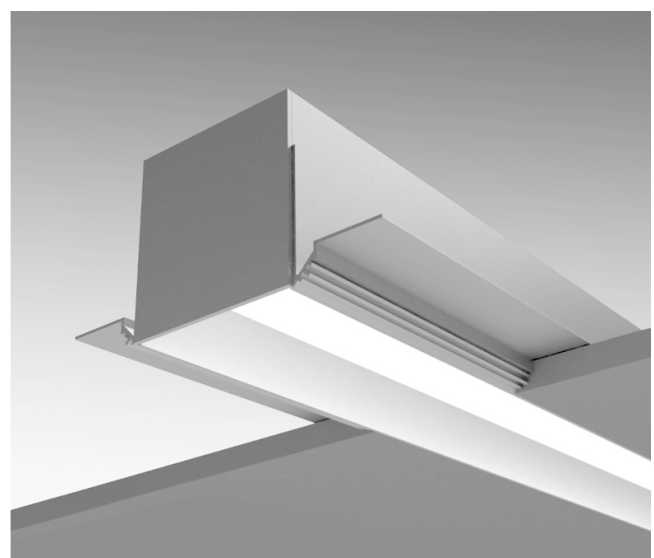
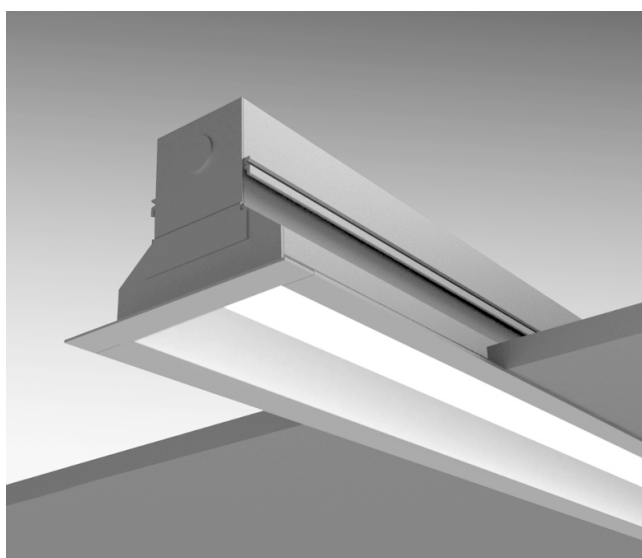
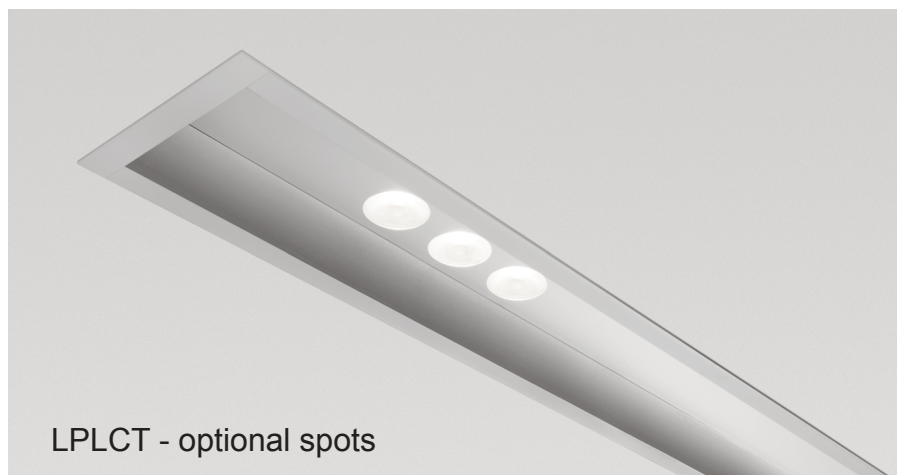


---

## LIGHTPLANE RECESSED CONCAVE

Recessed with Trim (LPLCT) & Trimless (LPLC)

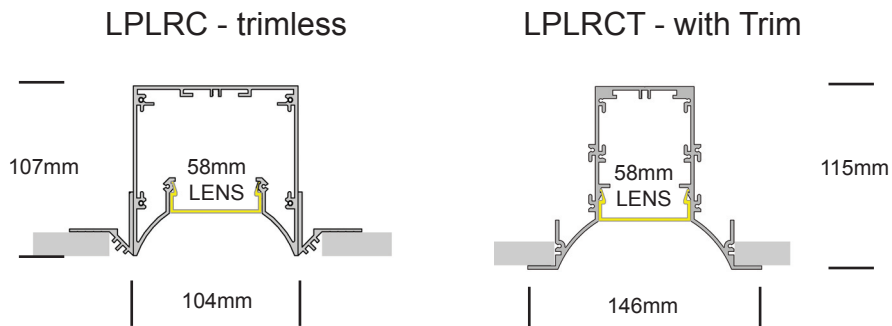


# LIGHTPLANE RECESSED CONCAVE

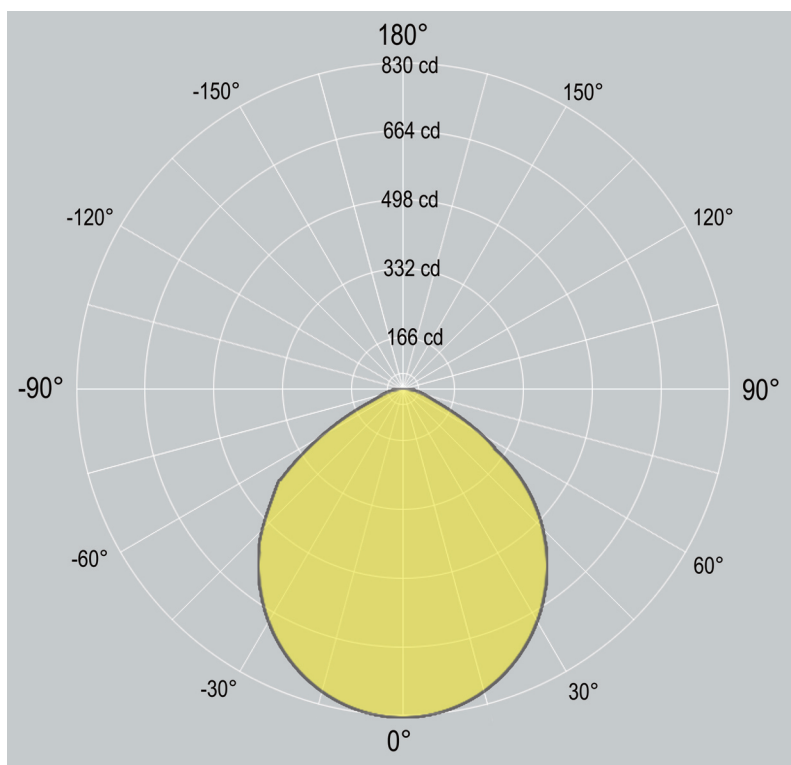


Recessed

## Dimensions



## Distribution



# LIGHTPLANE RECESSED CONCAVE

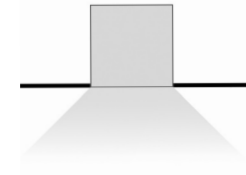


Recessed

## 1. Base Model

|        |                      |
|--------|----------------------|
| LPLRCT | Recessed - with Trim |
| LPLRC  | Recessed - Trimless  |

LPLRCT, LPLRC Recessed



## 2. Run Length

Enter total linear length, (example: 6M)

## 3. LED Lamping

|   |   |
|---|---|
| NOLINEAR                                | Specify "NOLINEAR" if only specifying Spots without Linear LED.   |
| STD - <b>xxxxK</b> (example: STD-4000K) | SINGLE ROW LINEAR LED<br>Standard Output, LED 20W/M, 1850 delivered lm/M, 77lm/w @ 4000K                      |
| HI - <b>xxxxK</b> (example: HI-4000K)   | High Output, LED 30W/M, 2500 delivered lm/M, 73lm/w @ 4000K   |
|   | CCT: 3000K 3500K 4000K OPTION: 2700K 5000K 5700K 6500K<br>Dual Row LED strip available                        |
| TW                                      | Additional Single Row LED Option<br>Tunable White (2700K - 6500K) - 24VDC/12VDC<br>Contact factory for detail |
| RGBW - <b>xxxxK</b>                     | Standard Output - RGB+WHITE - 24VDC/12VDC<br>Contact factory for detail                                       |

## 4. LED Driver

|         |                               |
|---------|-------------------------------|
| 0/1-10V | 0/1-10V dimming               |
| DALI    | DALI dimming                  |
| DMX     | DMX dimming                   |
| STD     | Non-dimmable                  |
| OTHER   | (Consult factory for options) |

## 5. SPOTS (optional spots)

|                  |  |
|------------------|--|
| <b>xx-SPOT15</b> | Quantity <b>xx</b> of Spots with 15 degree beam - 30W each |
| <b>xx-SPOT24</b> | Quantity <b>xx</b> of Spots with 24 degree beam - 30W each |
| <b>xx-SPOT36</b> | Quantity <b>xx</b> of Spots with 36 degree beam - 30W each |



## 6. Finish

|        |                            |
|--------|----------------------------|
| AL     | Standard, natural aluminum |
| BK     | Black powdercoat           |
| WH     | White powdercoat           |
| Custom | Custom Color               |

## 7. Additional options

|        |                        |
|--------|------------------------|
| EM     | 1.5 Hour Emergency Kit |
| MS     | Motion sensor          |
| Others | Contact factory        |

# LIGHTPLANE RECESSED CONCAVE

Recessed

# ZALITE

---

## Housing

100% recyclable, extruded architectural grade T6063 aluminum

---

## Emergency

Luminaires can be wired for emergency circuit and/or emergency battery backup. Consult factory for options.

---

## Options

### Mitered Corners

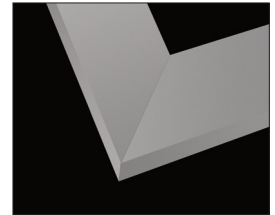
Consult factory for mitered corner angle options.

---

## Finish

Standard finish is "Ultimate" aluminum - a smooth, clean and durable finish achieved from a deep-etch and two step clear anodizing process.

White, Black, Custom powdercoat options also available.



Mitered Corners



WH - WHITE



AL - ALUMINUM



BK - BLACK



Custom/\_\_\_\_



ISO 9001:2015