
LIGHTPLANE ROUND 2 - LPR2

Suspended
Wall Sconce

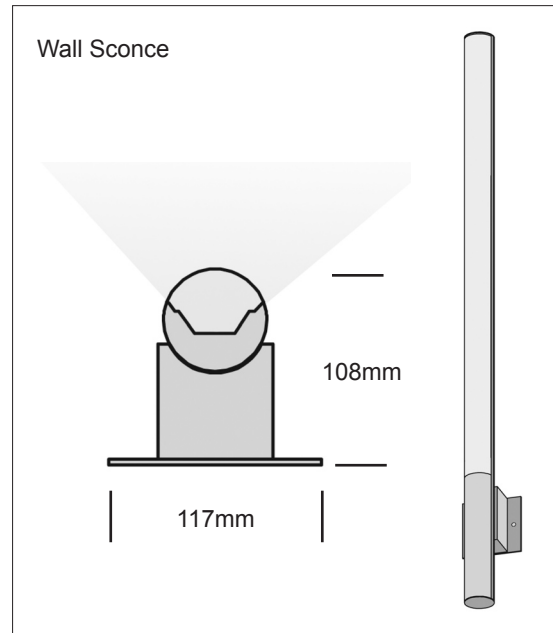
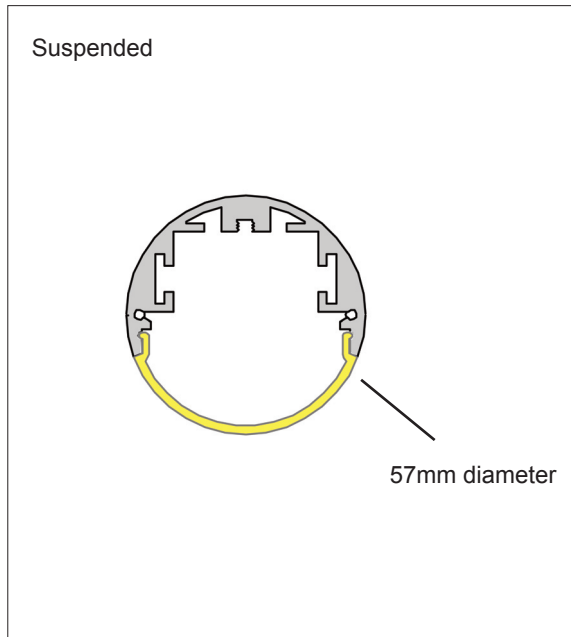


LIGHTPLANE ROUND 2 – LPR2

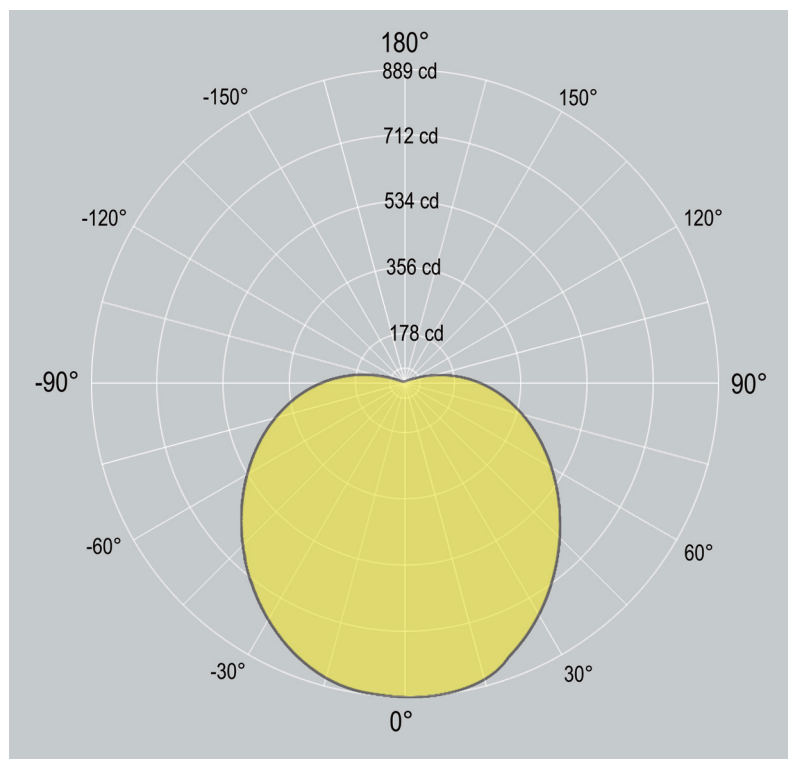
Suspended, Wall, Surface (Indirect or Direct)

ZALITE

Dimensions



Distribution



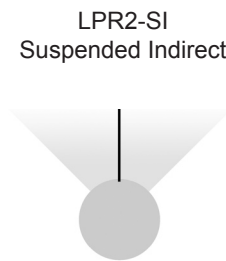
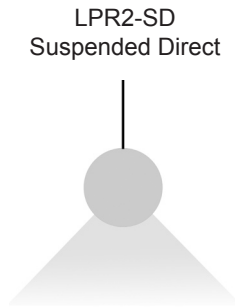
LIGHTPLANE ROUND 2 – LPR2



Suspended, Wall, Surface (Indirect or Direct)

1. Base Model

LPR2-SD	Suspended (Direct)
LPR2-SI	Suspended (Indirect)
LPR2-WS	Wall Sconce



LPR2-WS
Wall Sconce



2. Run Length

Enter total linear length, (example: 6M)

3. LED Lamping

STD - **xxxxK** (example: STD-4000K) Standard Output, LED 20W/M 2500 delivered lumen, 105 lm/W

HI - **xxxxK** (example: HI-4000K) High Output, LED 30W/M 3500 delivered lumen, 100 lm/W

CCT: 3000K 3500K 4000K Option: 2700K 5000K 5700K 6500K

CV - **xxxxK** Additional LED Options
Constant Voltage (for custom lengths) 24/12VDC
Contact factory for detail

TW Tunable White (2700K - 6500K)

RGBW Contact factory for detail

RGBW RGB+WHITE - 24/12VDC

Contact factory for detail

4. Driver

0/1-10V 0/1-10V dimming

DALI DALI dimming

DMX DMX dimming

NONDIM Non-dimmable

OTHER (Consult factory for options)

5. Finish

AL Standard, natural aluminum

BK Black powdercoat

WH White powdercoat

Custom Custom Color

6. Additional options

EM 1.5 hour Emergency Kit

MS Motion sensor

OTHER Contact Factory

LIGHTPLANE ROUND 2 – LPR2

Suspended, Wall Sconce

ZALITE

Housing

100% recyclable, extruded architectural grade T6063 aluminum

Emergency

Luminaires can be wired for emergency circuit and/or emergency battery backup.
Consult factory for options.

Finish

Standard finish is "Ultimate" aluminum - a smooth, clean and durable finish achieved from a deep-etch and two step clear anodizing process.
White, Black, Custom powdercoat options also available.



Suspension & Power



WH - WHITE



AL - ALUMINUM



BK - BLACK



Custom / _____

Default canopy finish
is to match fitting color,
unless otherwise
specified



ISO 9001:2015