

---

# MICRO-S

Suspended  
Wall  
Surface



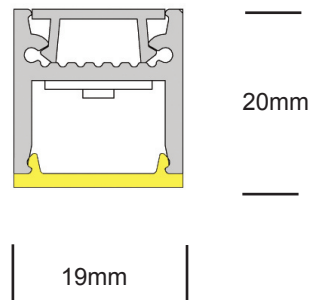
# MICRO-S

Suspended, Wall, Surface

# ZALITE

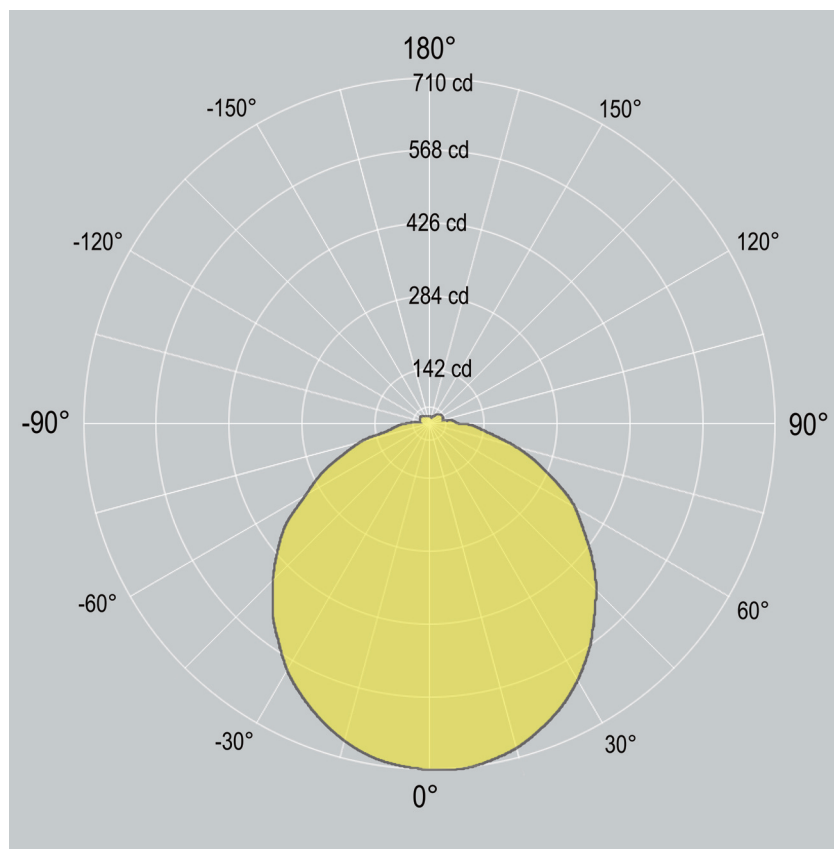
## Dimensions

---



## Distribution

---



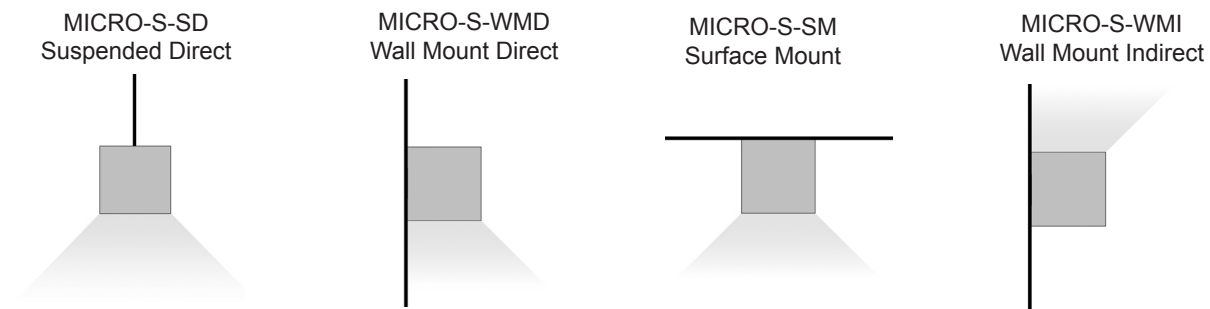
# MICRO-S

Suspended, Wall, Surface



## 1. Base Model

MICRO-S-SD	Suspended (Direct)
MICRO-S-WMI	Wall Mounted (Indirect)
MICRO-S-WMD	Wall Mounted (Direct)
MICRO-S-SM	Surface Mounted



## 2. Run Length

Enter total linear length, (example: 6M)

## 3. LED Lamping

STD - <b>xxxxK</b> (example: STD-4000K)	Standard Output, LED 20 W/M, 2000 delivered lm/M , 87lm/W @ 4000K
HI - <b>xxxxK</b> (example: HI-4000K)	High Output, LED 30 W/M, 2900 delivered lm/M, 83 lm/W @ 4000K
	CCT: 3000K 3500K 4000K Option: 2700K 5000K 5700K 6500K
	Additional LED Options
CV - <b>xxxxK</b>	Constant Voltage (for custom lengths) - 12Vdc/24Vdc Contact factory for detail
TW	Tunable White (2700K - 6500K) Contact factory for detail
RGBW - <b>xxxxK</b>	Standard Output - RGB+WHITE - 12Vdc/24Vdc Contact factory for detail

## 4. LED Driver (remote only)

0/1-10V	0/1-10V dimming
DALI	DALI dimming
DMX	DMX dimming
NONDIM	Non-dimmable
OTHER	(Consult factory for options)

## 5. Finish

AL	Standard, natural aluminum
BK	Black powdercoat
WH	White powdercoat
Custom	Custom Color

## 6. Additional options (Remote only)

EM	1.5H Emergency Kit - Remote
MS	Motion sensor
Others	Contact factory

# MICRO-S

Suspended, Wall, Surface

# ZALITE

---

## Housing

100% recyclable, extruded architectural grade T6063 aluminum

---

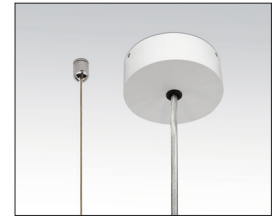
## Emergency

Luminaires can be wired for emergency circuit and/or emergency battery backup.  
Consult factory for options.

---

## Finish

Standard finish is "Ultimate" aluminum - a smooth, clean and durable finish achieved from a deep-etch and two step clear anodizing process.  
White, Black, Custom powdercoat options also available.



Suspension & Power



WH - WHITE



AL - ALUMINUM



BK - BLACK



CUSTOM/\_\_\_\_

Default canopy finish  
is to match fitting color,  
unless otherwise  
specified



ISO 9001:2015