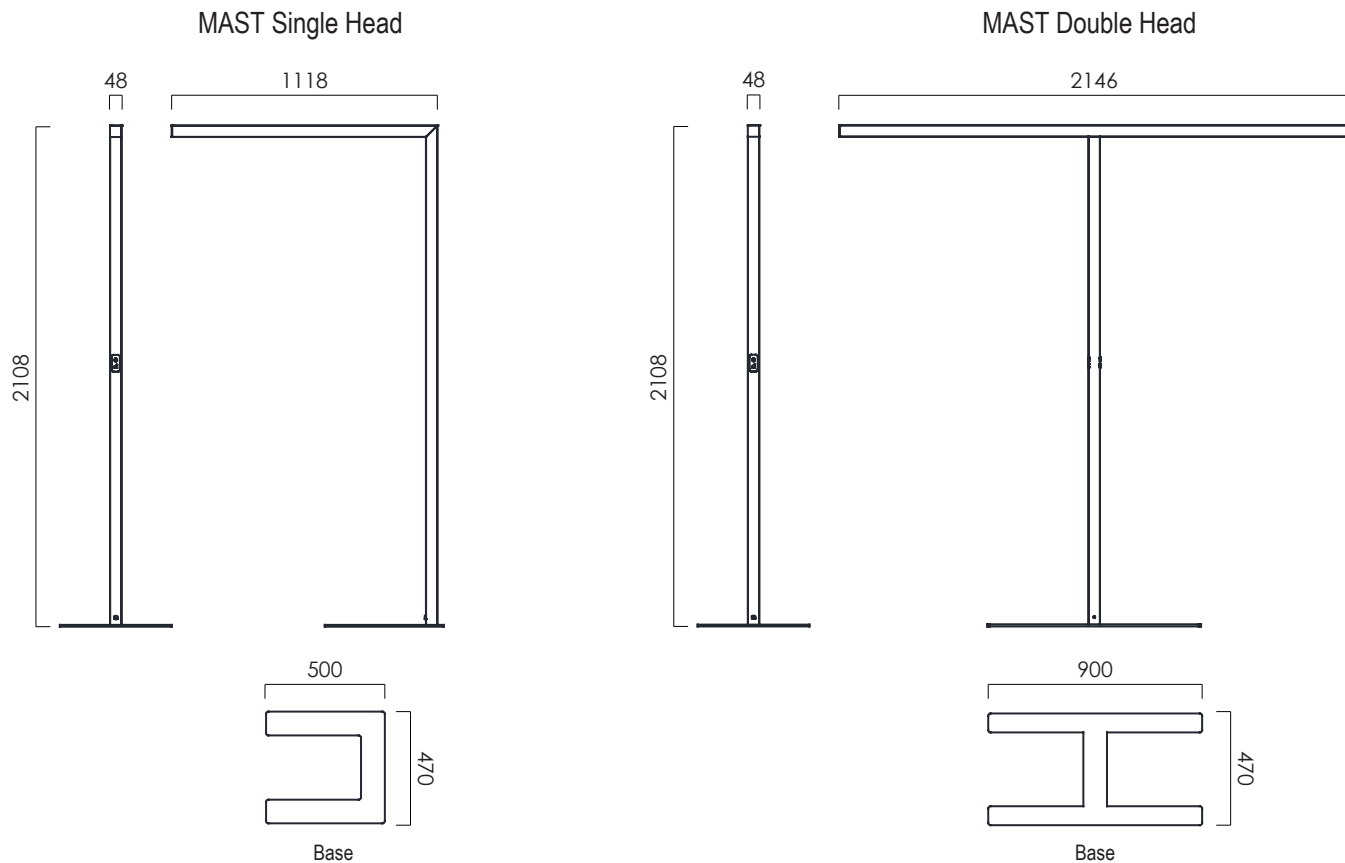


MT-S-45-4000K-BK

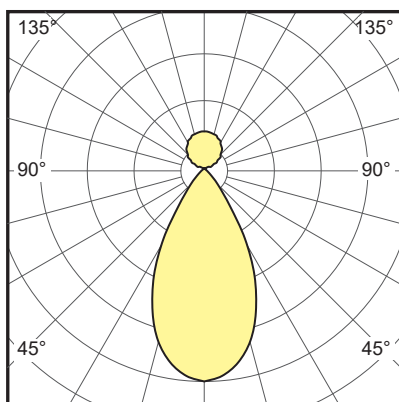
## Features

- Direct/indirect light distribution
- Low UGR optic louver for direct light
- Lighting control by touch DIM on pole
- Powder-coated white, silver, black and RAL
- 100% recyclable, extruded architectural grade T6063 aluminum

### DIMENSIONS

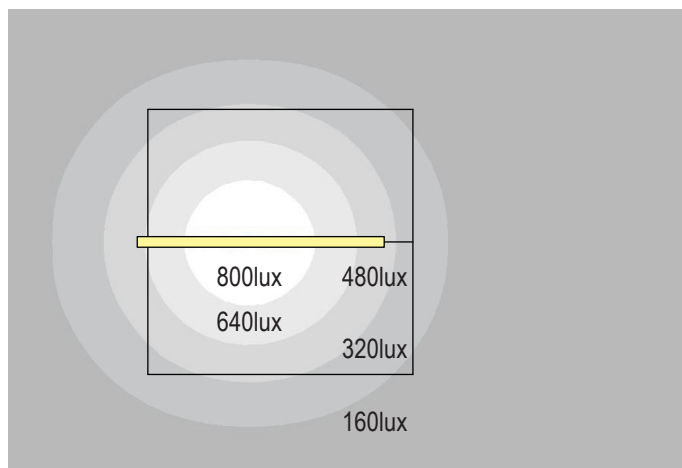


### DISTRIBUTIONS



## SPECIFICATION DETAILS

### TECHNICAL DATA



#### Free standing-louwer

20.5W, 4000K, direct light only

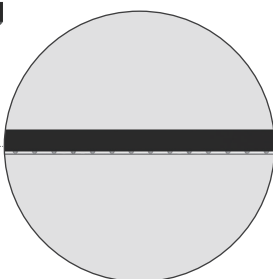
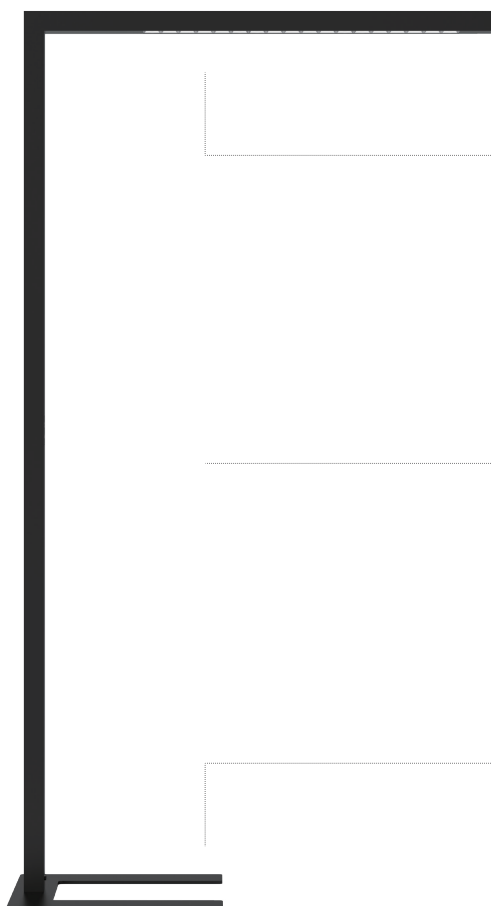
#### Room Values

Room dimensions 5.4 x 3.6 x 2.8m

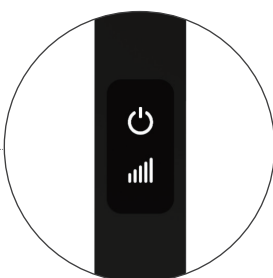
Reflection factor 0.7 | 0.5 | 0.2

Maintenance factor 0.8

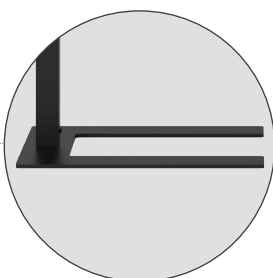
### DETAILS



Lamp unit with louvre optic of the direct light component for glare-free light distribution in accordance with EN 12464-1 with UGR<15.



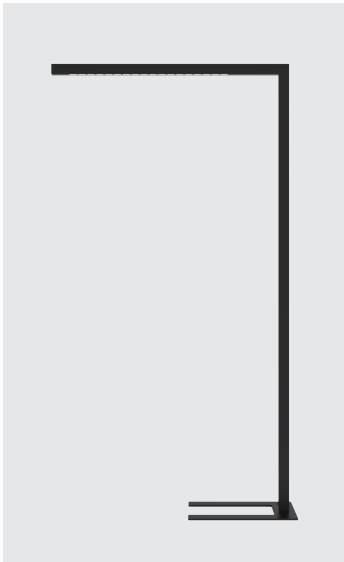
The touch control panel for on/off switch and dimming to 1%. The direct and indirect light is separated, individually adjustable.



U-shaped base is made of steel for flexible positioning and high stability.

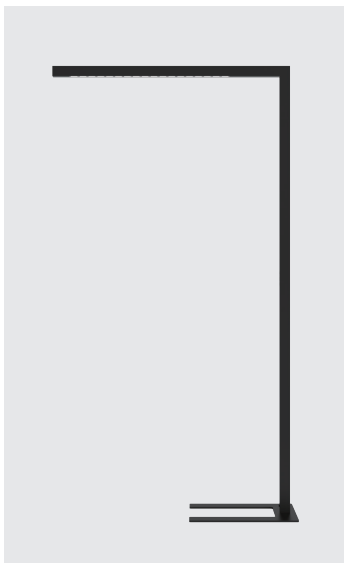
**ORDERING INFO**

**MAST SINGLE - 45W**  
**MODEL: MT-S-45**



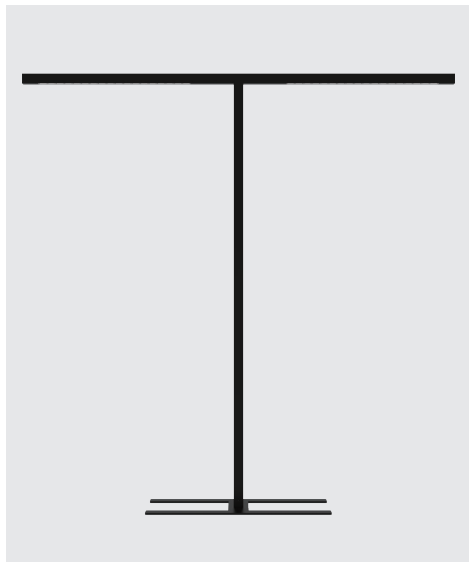
<b>LIGHT DISTRIBUTION</b>	Direct / indirect
<b>DELIVERED LUMENS</b>	3183lm@3000K / 3371lm@4000K
<b>CCT</b>	3000K / 4000K
<b>CRI</b>	> 90
<b>SDCM</b>	< 3
<b>BEAM</b>	50°
<b>POWER</b>	45W
<b>STANDBY POWER</b>	0.6W
<b>CONTROL</b>	Touch DIM to 1%
<b>INPUT</b>	220-240V AC
<b>CONNECTING CABLE</b>	Length 3 m with safety plug
<b>FINISH</b>	Black / White / Silver / RAL
<b>WEIGHT(NET)</b>	11.6KG

**MAST SINGLE - 65W**  
**MODEL: MT-S-65**



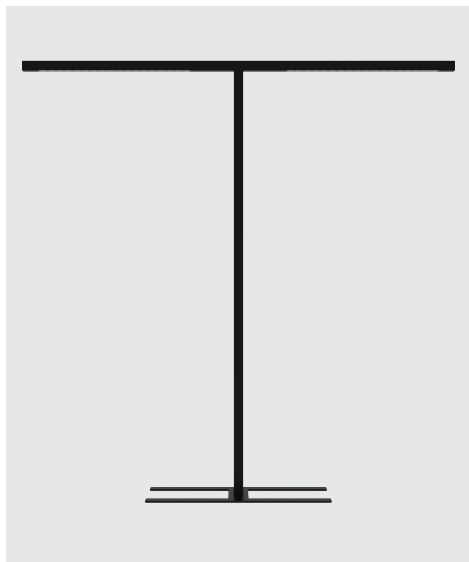
<b>LIGHT DISTRIBUTION</b>	Direct / indirect
<b>DELIVERED LUMENS</b>	4316lm@3000K / 4572lm@4000K
<b>CCT</b>	3000K / 4000K
<b>CRI</b>	> 90
<b>SDCM</b>	< 3
<b>BEAM</b>	50°
<b>POWER</b>	65W
<b>STANDBY POWER</b>	0.6W
<b>CONTROL</b>	Touch DIM to 1%
<b>INPUT</b>	220-240V AC
<b>CONNECTING CABLE</b>	Length 3 m with safety plug
<b>FINISH</b>	Black / White / Silver / RAL
<b>WEIGHT(NET)</b>	11.6KG

## MAST DOUBLE - 90W MODEL: MT-D-90



<b>LIGHT DISTRIBUTION</b>	Direct / indirect
<b>DELIVERED LUMENS</b>	6366lm@3000K / 6742lm@4000K
<b>CCT</b>	3000K / 4000K
<b>CRI</b>	> 90
<b>SDCM</b>	< 3
<b>BEAM</b>	50°
<b>POWER</b>	90W
<b>STANDBY POWER</b>	1.1W
<b>CONTROL</b>	Touch DIM to 1%
<b>INPUT</b>	220-240V AC
<b>CONNECTING CABLE</b>	Length 3 m with safety plug
<b>FINISH</b>	Black / White / Silver / RAL
<b>WEIGHT(NET)</b>	10.2KG

## MAST DOUBLE - 130W MODEL: MT-D-130



<b>LIGHT DISTRIBUTION</b>	Direct / indirect
<b>DELIVERED LUMENS</b>	8632lm@3000K / 9144lm@4000K
<b>CCT</b>	3000K / 4000K
<b>CRI</b>	> 90
<b>SDCM</b>	< 3
<b>BEAM</b>	50°
<b>POWER</b>	130W
<b>STANDBY POWER</b>	1.1W
<b>CONTROL</b>	Touch DIM to 1%
<b>INPUT</b>	220-240V AC
<b>CONNECTING CABLE</b>	Length 3 m with safety plug
<b>FINISH</b>	Black / White / Silver / RAL
<b>WEIGHT(NET)</b>	10.2KG



More information and data,  
please visit:  
[www.zalite.cn](http://www.zalite.cn)

V2.0\_2023-05