



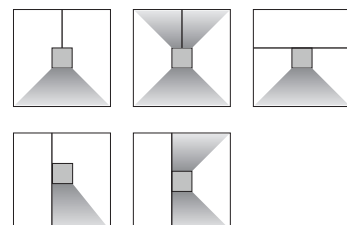
QS2-S-1120-STD-STD-AL & QS2ID-S-1120-STD-STD-AL

## Features

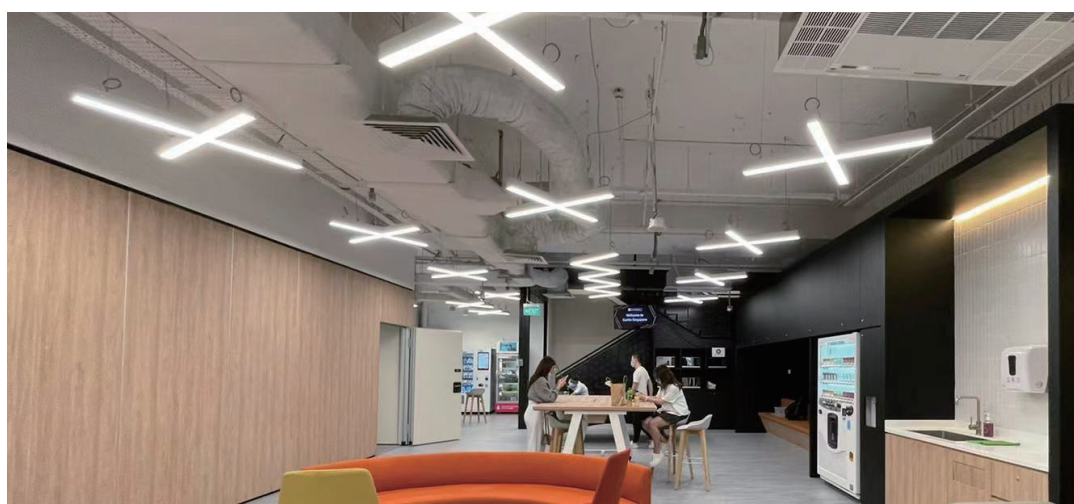
- Low UGR design
- Direct-indirect distribution (QS2ID)
- Custom shapes and configurations
- Built-in driver, dim or non-dim available
- Wide range of finishes
- 100% recyclable, extruded architectural grade T6063 aluminum

## Mounting

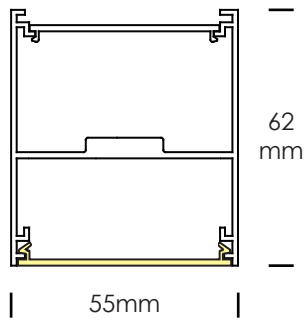
- Suspended, surface, wall



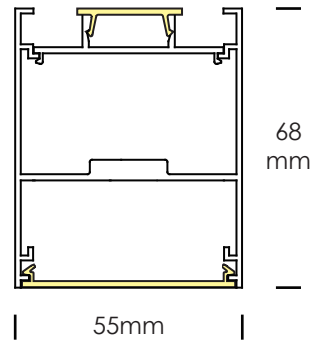
## PHOTOS



## Dimensions

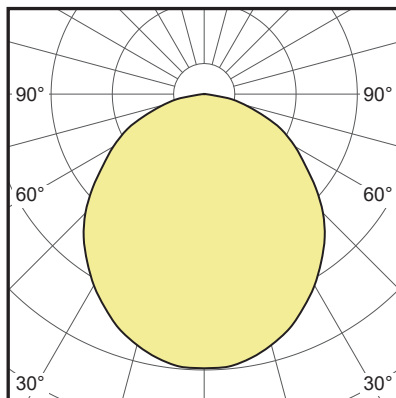


QS2

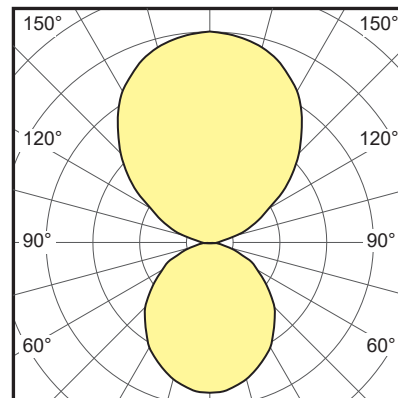


QS2ID

## Distributions



QS2



QS2ID

## Ordering Info

### 1. BASIC MODEL

QS2-S	Suspended - direct
QS2-SM	Surface mount - direct
QS2-WM	Wall mount / back mount - direct / indirect
QS2ID-S	Suspended - direct and indirect
QS2ID-WM	Wall mount - direct and indirect

### 2. SIZE AND SHAPE

xxxxmm - STR	Straight - specify individual or continuous run length in mm
xxxxmm - SQ	Square - specify outside dimension in mm
xxxxmm - REC	Rectangle - specify outside dimension in mm
xxxxmm - TEE	T- Shape - specify length in mm
xxxxmm - Special Shape	Radom connection of sectional straight

\* Sample configuration diagrams as below.



Square



Rectangle



U-Shape



T-Shape



Cross



Zed

### 3. LED LAMPING - DIRECT LIGHT

<b>LOW - xxxxK</b>	Linear LED strip, low output, LED 14W/1120mm
<b>STD - xxxxK</b>	Linear LED strip, standard output, LED 20W/1120mm
<b>HI - xxxxK</b>	Linear LED strip, high output, LED 26W/1120mm

Note: Standard CCT: **3000K, 3500K, 4000K**; **CRI80 and CRI90** are available.

Other option: 2700K, 5000K, 5700K, 6500K, red, green, blue, TUNE(2700K-6500K). Contact factory for details.

See page 7 for information of LED lamping output.

### 4. LED LAMPING - INDIRECT LIGHT (for QS2ID only)

<b>LOW - xxxxK</b>	Linear LED strip, low output, LED 14W/1120mm
<b>STD - xxxxK</b>	Linear LED strip, standard output, LED 20W/1120mm
<b>HI - xxxxK</b>	Linear LED strip, high output, LED 26W/1120mm

Note: Standard CCT: **3000K, 3500K, 4000K**; **CRI80 and CRI90** are available.

Other option: 2700K, 5000K, 5700K, 6500K, red, green, blue, TUNE(2700K-6500K). Contact factory for details.

See page 7 for information of LED lamping output.

### 5. LENS - DIRECT LIGHT

<b>PRI</b>	Prismatic lens
------------	----------------

Note: Option for indirect light is clear lens & opal lens.

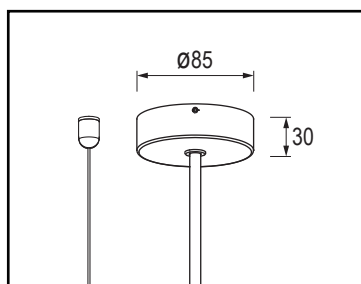
### 6. DRIVER (REMOTE ONLY)

<b>STD</b>	Non-dimmable
<b>0/1-10V</b>	1-10V / 0-10V dimming
<b>DALI</b>	DALI dimming
<b>DMX</b>	DMX dimming
<b>OTHER</b>	Consult factory for options

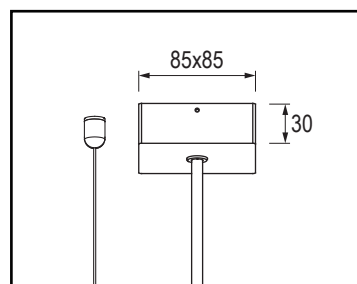
## 7. SUSPENSION MOUNT CANOPY

**RC** Canopy in round shape - suspended only

**SC** Canopy in square shape - suspended only



Round canopy



Square canopy

## 8. FINISH

**BK** Matt black powercoat

**WH** Matt white powercoat

**SG** Silver grey powercoat

**CF** Custom finish - RAL or Pantone or other finish options



Matt black



Matt white



Silver grey



Custom

## 9. OPTIONAL ADD-ONS

**EM** 1.5 hour emergency kit (remote only)

**SS** PIR sensor

**OTHERS** Consult factory for options

## SPECIFICATION DETAILS

### SLIDED SUSPENSION KIT

The fixture is designed with slided suspension kit for suspended mounting. The slided suspension kit provides flexible and convenient installation in field. It's available to change the position and quantity of suspension kits when the ceiling layout is changed during installation.



### PERFORMANCE DATA - LED LAMPING

OUTPUT OPTIONS	DELIVERED LUMENS	WATTS	CRI OPTIONS	CCT OPTIONS	LED LAMPING
QS2-LOW	916	14.1	80 90	2700K 3000K 3500K 4000K 5000K 6500K	Direct only
QS2-STD	1263	19.9			Direct only
QS2-HI	1610	26.4			Direct only
QS2ID-LOW	2126	28.2			Direct and indirect light
QS2ID-STD	2924	39.7			Direct and indirect light
QS2ID-HI	3721	52.8			Direct and indirect light

*Note: Performance data is based on a connected-load photometric test of 1120mm fixture output with LOW, STD and HI output with 90 CRI at 4000K using a non-dimmable driver.*



More information and data,  
please visit:  
[www.zalite.cn](http://www.zalite.cn)

V2.0\_2025-06