

SR-S-70-3000K-BK

## Features



220-240V



DIM

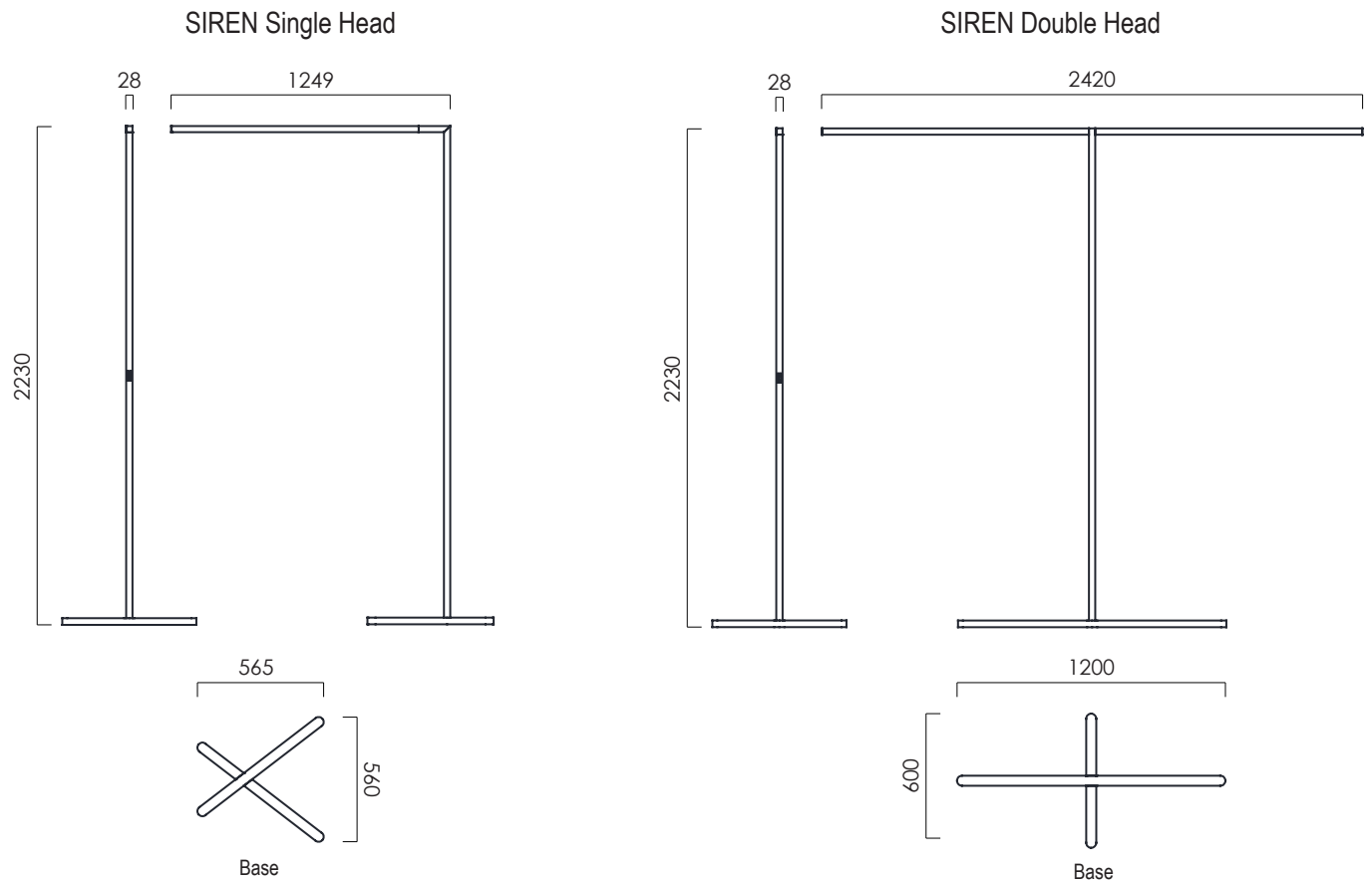


IP20

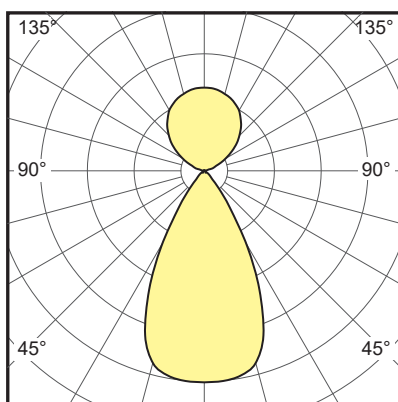
RoHS

- Direct/indirect light distribution
- Low UGR optic louver for direct light
- Lighting control by touch DIM on pole
- Luminaire head detachable
- Powder-coated white, silver, black and RAL
- 100% recyclable, extruded architectural grade T6063 aluminum

## DIMENSIONS



## DISTRIBUTIONS

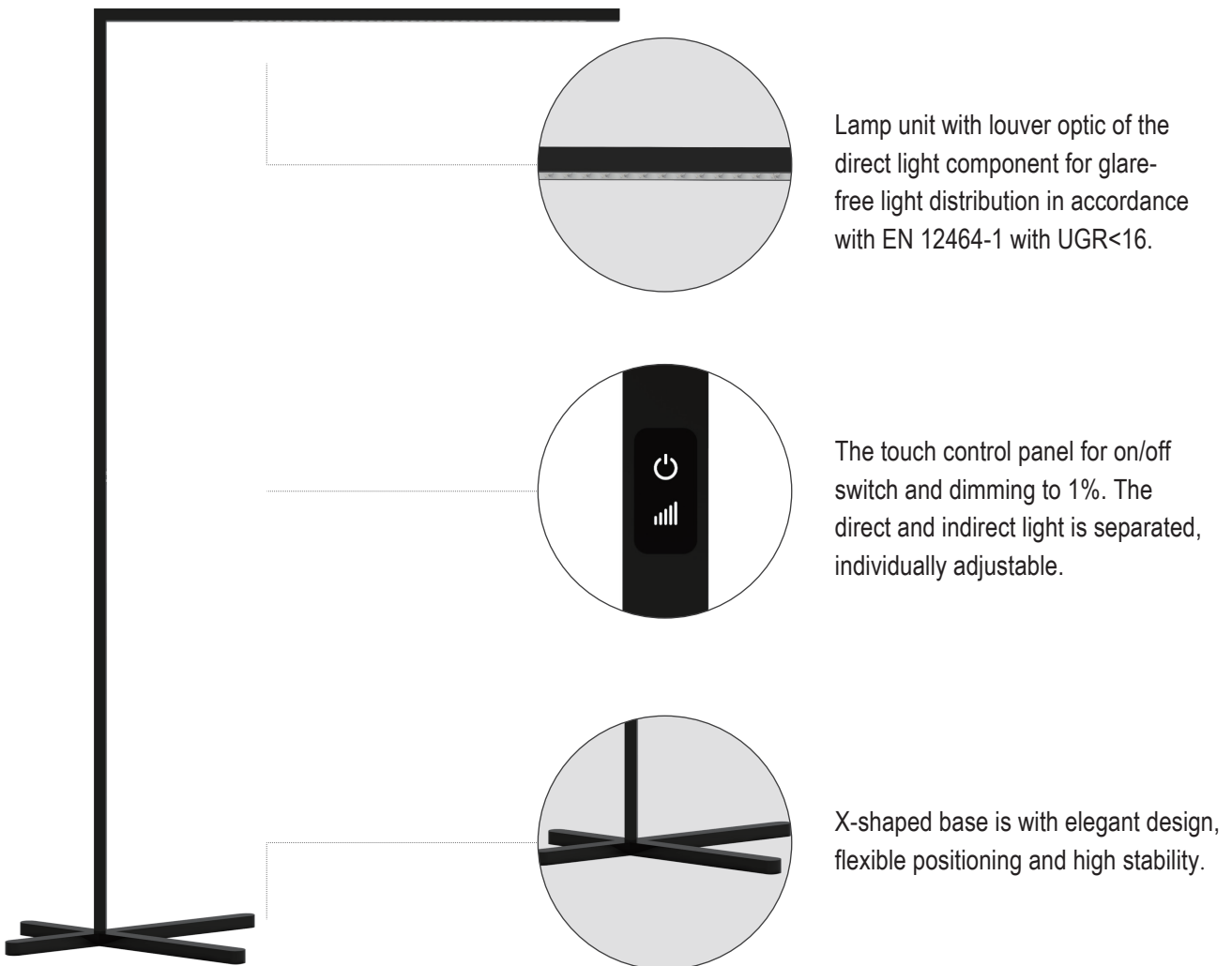


## SPECIFICATION DETAILS

### OVERVIEW

This free standing luminaire - SIREN - features elegant lines and a clever design. It is characterised by a perfect combination of high efficiency and comfortable light, is an ideal luminaire for office and home workplaces. The luminaire head for SIREN can be single and double head with direct / indirect light distribution. The soft indirect lighting combined with glare-free direct light that provides atmospheric lighting for any room and working places.

### DETAILS



## ORDERING INFO

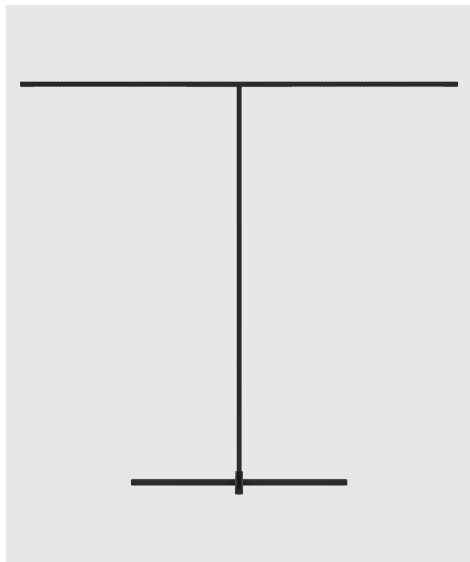
SIREN SINGLE - 45W  
MODEL: SR-S-45

LIGHT DISTRIBUTION	Direct / indirect
DELIVERED LUMENS	3433lm@3000K / 3636lm@4000K
CCT	3000K / 4000K
CRI	> 90
SDCM	< 3
BEAM	50°
POWER	45W
STANDBY POWER	0.5W
CONTROL	Touch DIM to 1%
INPUT	220-240V AC
CONNECTING CABLE	Length 3 m with safety plug
FINISH	Black / White / Silver / RAL
WEIGHT(NET)	6.8KG

SIREN SINGLE - 70W  
MODEL: SR-S-70

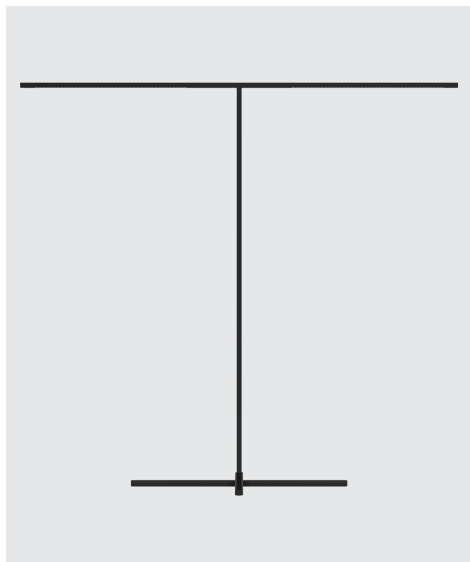
LIGHT DISTRIBUTION	Direct / indirect
DELIVERED LUMENS	5071lm@3000K / 5372lm@4000K
CCT	3000K / 4000K
CRI	> 90
SDCM	< 3
BEAM	50°
POWER	70W
STANDBY POWER	0.5W
CONTROL	Touch DIM to 1%
INPUT	220-240V AC
CONNECTING CABLE	Length 3 m with safety plug
FINISH	Black / White / Silver / RAL
WEIGHT(NET)	6.8KG

### SIREN DOUBLE - 90W MODEL: SR-D-90



<b>LIGHT DISTRIBUTION</b>	Direct / indirect
<b>DELIVERED LUMENS</b>	6866lm@3000K / 7272lm@4000K
<b>CCT</b>	3000K / 4000K
<b>CRI</b>	> 90
<b>SDCM</b>	< 3
<b>BEAM</b>	50°
<b>POWER</b>	90W
<b>STANDBY POWER</b>	1W
<b>CONTROL</b>	Touch DIM to 1%
<b>INPUT</b>	220-240V AC
<b>CONNECTING CABLE</b>	Length 3 m with safety plug
<b>FINISH</b>	Black / White / Silver / RAL
<b>WEIGHT(NET)</b>	8.2KG

### SIREN DOUBLE - 140W MODEL: SR-D-140



<b>LIGHT DISTRIBUTION</b>	Direct / indirect
<b>DELIVERED LUMENS</b>	10142lm@3000K / 10744lm@4000K
<b>CCT</b>	3000K / 4000K
<b>CRI</b>	> 90
<b>SDCM</b>	< 3
<b>BEAM</b>	50°
<b>POWER</b>	140W
<b>STANDBY POWER</b>	1W
<b>CONTROL</b>	Touch DIM to 1%
<b>INPUT</b>	220-240V AC
<b>CONNECTING CABLE</b>	Length 3 m with safety plug
<b>FINISH</b>	Black / White / Silver / RAL
<b>WEIGHT(NET)</b>	8.2KG



More information and data,  
please visit:  
[www.zalite.cn](http://www.zalite.cn)

V1.0\_2023-04